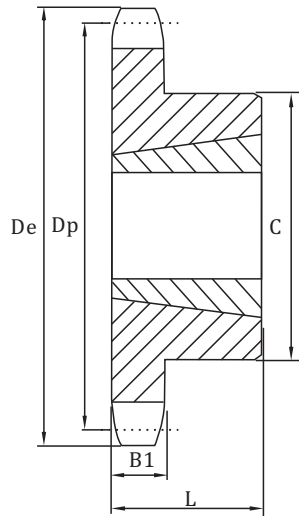


Taper Bore Sprockets American Standard Series

No.35

◇ Pitch $3/8"$ ◇ Roller Φ 0.200" ◇ Tooth width B1 0.168"



TYPE B



Single-Taper Bushed

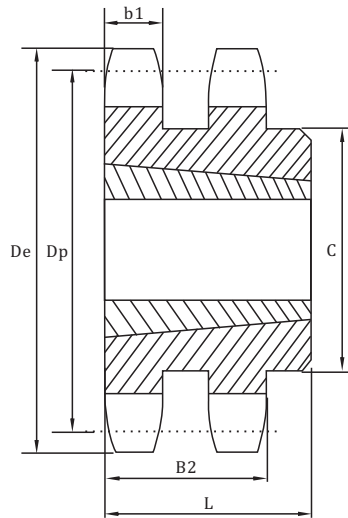
No. Teeth	Number	Bushing	De	Dp	Max. Bore	L	C	Type	Weight (Approx.)	
									Rim Only	Bushing Only
18	35BTB18	1008	2.352	2.159	1	$7/8$	$1\ 7/8$ ★	B	.4	.3
19	35BTB19	1008	2.472	2.278	1	$7/8$	$1\ 13/16$	B	.5	.3
20	35BTB20	1008	2.593	2.397	1	$7/8$	$1\ 15/16$	B	.6	.3
21	35BTB21	1008	2.713	2.516	1	$7/8$	$2\ 1/16$	B	.7	.3
22	35BTB22	1210	2.883	2.635	$1\ 1/4$	1	$2\ 3/8$ ★	B	.8	.6
23	35BTB23	1210	2.954	2.754	$1\ 1/4$	1	$2\ 7/16$	B	.9	.6
24	35BTB24	1210	3.074	2.873	$1\ 1/4$	1	$2\ 7/16$	B	.9	.6
25	35BTB25	1210	3.194	2.992	$1\ 1/4$	1	$2\ 7/16$	B	1.2	.6
26	35BTB26	1610	3.314	3.111	$1\ 5/8$	1	$2\ 7/8$ ★	B	1.1	.9
28	35BTB28	1610	3.553	3.349	$1\ 5/8$	1	$2\ 7/8$	B	1.2	.9
30	35BTB30	1610	3.793	3.588	$1\ 5/8$	1	$3\ 1/8$	B	1.2	.9
32	35BTB32	1610	4.032	3.826	$1\ 5/8$	1	$3\ 1/4$	B	1.3	.9
35	35BTB35	1610	4.392	4.183	$1\ 5/8$	1	$3\ 1/4$	B	1.4	.9
36	35BTB36	1610	4.511	4.303	$1\ 5/8$	1	$3\ 1/4$	B	1.4	.9
40	35BTB40	1610	4.990	4.786	$1\ 5/8$	1	$3\ 1/4$	B	1.9	.9
42	35BTB42	1610	5.229	5.018	$1\ 5/8$	1	$3\ 1/4$	B	2.0	.9
45	35BTB45	1610	5.588	5.376	$1\ 5/8$	1	$3\ 1/4$	B	2.1	.9
48	35BTB48	1610	5.946	5.734	$1\ 5/8$	1	$3\ 1/4$	B	2.3	.9
54	35BTB54	1610	6.663	6.449	$1\ 5/8$	1	$3\ 1/4$	B	2.6	.9
60	35BTB60	1610	7.380	7.165	$1\ 5/8$	1	$3\ 1/4$	B	3.0	.9
70	35BTB70	1610	8.575	8.358	$1\ 5/8$	1	$3\ 1/4$	B	3.7	.9
72	35BTB72	1610	8.814	8.597	$1\ 5/8$	1	$3\ 1/4$	B	3.9	.9
80	35BTB80	1610	9.770	9.552	$1\ 5/8$	1	$3\ 1/4$	B	4.5	.9
84	35BTB84	1610	10.247	10.029	$1\ 5/8$	1	$3\ 1/4$	B	4.9	.9
96	35BTB96	1610	11.680	11.461	$1\ 5/8$	1	$3\ 1/4$	B	6.0	.9
112	35BTB112	1610	13.590	13.371	$1\ 5/8$	1	$3\ 1/4$	B	7.8	.9

★ Has recessed groove in hub for chain clearance.

Taper Bore Sprockets American Standard Series

No.35-2

◇ Pitch 3/8" ◇ Roller Φ 0.200" ◇ Tooth width b1 0.162" ◇ Tooth width B2 0.561"



TYPE B



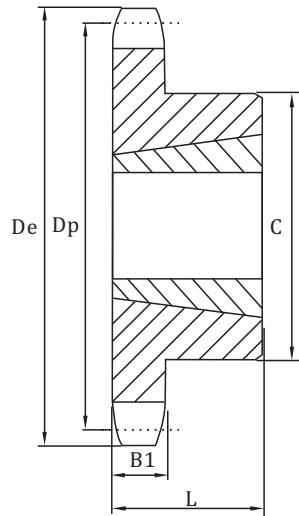
Double-Taper Bushed

No. Teeth	Number	Bushing	De	Dp	Max. Bore	L	C	Type	Weight (Approx.)	
									Rim Only	Bushing Only
19	D35BTB19H	1008	2.472	2.278	1	7/8	1 ⁵³ / ₆₄	B	.6	.3
20	D35BTB20H	1008	2.593	2.397	1	7/8	1 ⁵ / ₁₆	B	.8	.3
21	D35BTB21H	1008	2.713	2.516	1	7/8	2 1/16	B	1.4	.3
22	D35BTB22H	1008	2.833	2.635	1	7/8	2 3/16	B	1.7	.3
24	D35BTB24H	1210	3.074	2.873	1 1/4	1	2 7/16	B	1.8	.6
26	D35BTB26	1210	3.314	3.111	1 1/4	1	2 5/8	B	2.0	.6
30	D35BTB30	1610	3.793	3.588	1 5/8	1	3 1/8	B	1.8	.9
32	D35BTB32	1610	4.032	3.826	1 5/8	1	3 1/4	B	2.0	.9
35	D35BTB35	1610	4.392	4.183	1 5/8	1	3 1/4	B	2.3	.9
40	D35BTB40	1610	4.990	4.786	1 5/8	1	3 1/4	B	2.9	.9
45	D35BTB45	1610	5.588	5.376	1 5/8	1	3 1/4	B	3.2	.9
48	D35BTB48	1610	5.946	5.734	1 5/8	1	3 5/8	B	3.5	.9
54	D35BTB54	1610	6.663	6.449	1 5/8	1	3 5/8	B	3.9	.9
60	D35BTB60	1610	7.380	7.165	1 5/8	1	3 5/8	B	4.9	.9
70	D35BTB70	1610	8.575	8.358	1 5/8	1	3 5/8	B	6.3	.9
80	D35BTB80	1610	9.770	9.552	1 5/8	1	3 5/8	B	7.9	.9
96	D35BTB96	1610	11.680	11.461	1 5/8	1	3 5/8	B	9.9	.9
112	D35BTB112	1610	13.590	13.371	1 5/8	1	3 5/8	B	10.9	.9

Taper Bore Sprockets American Standard Series

No.41

◇Pitch 1/2" ◇Roller Φ 0.306" ◇Tooth width B1 0.227"



TYPE B



Single-Taper Bushed

No. Teeth	Number	Bushing	De	Dp	Max. Bore	L	C	Type	Weight (Approx.)	
									Rim Only	Bushing Only
14	41BTB14	1008	2.49	2.249	1	7/8	1 7/8★	B	.4	.3
15	41BTB15	1008	2.65	2.405	1	7/8	1 7/8	B	.5	.3
16	41BTB16	1008	2.81	2.503	1	7/8	2	B	.6	.3
17	41BTB17	1210	2.98	2.721	1 1/4	1	2 3/8★	B	.7	.6
18	41BTB18	1210	3.14	2.879	1 1/4	1	2 3/8	B	.9	.6
19	41BTB19	1210	3.30	3.038	1 1/4	1	2 1/2	B	1.1	.6
20	41BTB20	1610	3.46	3.196	1 5/8	1	2 7/8★	B	1.1	.9
21	41BTB21	1610	3.62	3.355	1 5/8	1	3★	B	1.2	.9
22	41BTB22	1610	3.78	3.573	1 5/8	1	3	B	1.3	.9
23	41BTB23	1610	3.94	3.672	1 5/8	1	3	B	1.4	.9
24	41BTB24	1610	4.10	3.831	1 5/8	1	3 1/4	B	1.4	.9
25	41BTB25	1610	4.26	3.989	1 5/8	1	3 1/4	B	1.5	.9
26	41BTB26	1610	4.42	4.148	1 5/8	1	3 1/4	B	1.5	.9
28	41BTB28	1610	4.74	4.466	1 5/8	1	3 1/4	B	1.7	.9
30	41BTB30	1610	5.06	4.783	1 5/8	1	3 1/4	B	1.8	.9
32	41BTB32	1610	5.38	5.101	1 5/8	1	3 1/4	B	1.9	.9
35	41BTB35	1610	5.86	5.578	1 5/8	1	3 1/4	B	2.3	.9
36	41BTB36	1610	6.02	5.737	1 5/8	1	3 1/4	B	2.4	.9
40	41BTB40	1610	6.65	6.373	1 5/8	1	3 1/4	B	2.7	.9
45	41BTB45	1610	7.45	7.168	1 5/8	1	3 1/4	B	3.5	.9
48	41BTB48	1610	7.93	7.645	1 5/8	1	3 1/4	B	4.1	.9
54	41BTB54	1610	8.89	8.599	1 5/8	1	3 1/4	B	4.9	.9
60	41BTB60	1610	9.84	9.554	1 5/8	1	3 1/4	B	5.7	.9
70	41BTB70	1610	11.43	11.145	1 5/8	1	3 1/4	B	7.4	.9
72	41BTB72	1610	11.75	11.463	1 5/8	1	3 1/4	B	8.2	.9
80	41BTB80	1610	13.03	12.736	1 5/8	1	3 1/4	B	9.6	.9
96	41BTB96	1610	15.57	15.281	1 5/8	1	3 1/4	B	13.1	.9

★ Has recessed groove in hub for chain clearance.

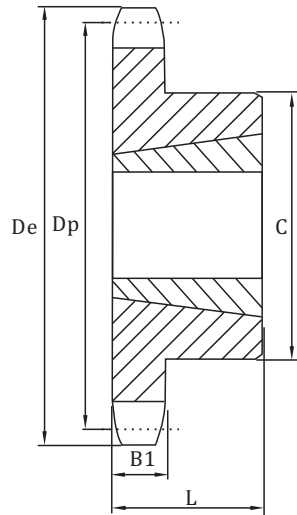
Taper Bore Sprockets American Standard Series

No.40

◇ Pitch 1/2" ◇ Roller Φ 0.312" ◇ Tooth width B1 0.284"

Single-Taper Bushed With Hardened Teeth

No. Teeth	Number
14	40BTB14H
15	40BTB15H
16	40BTB16H
17	40BTB17H
18	40BTB18H
19	40BTB19H
20	40BTB20H
21	40BTB21H
22	40BTB22H
23	40BTB23H
24	40BTB24H
25	40BTB25H
26	40BTB26H
28	40BTB28H
30	40BTB30H



TYPE B



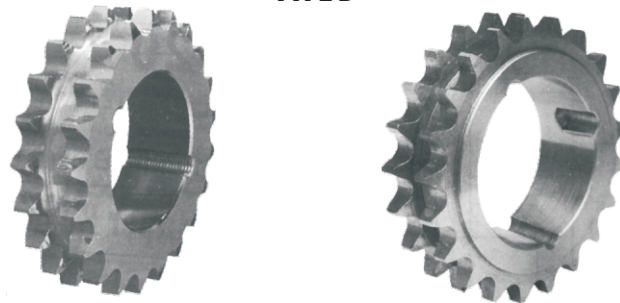
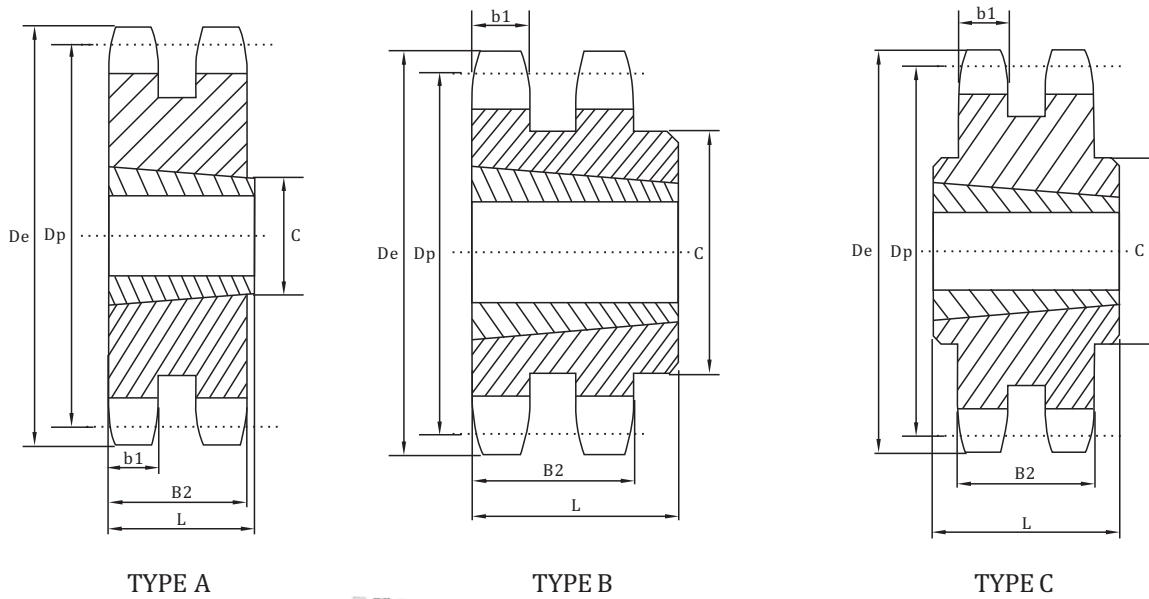
Single-Taper Bushed

No. Teeth	Number	Bushing	De	Dp	Max. Bore	L	C	Type	Weight (Approx.)	
									Rim Only	Bushing Only
14	40BTB14	1008	2.491	2.247	1	7/8	1 ³ / ₁₆ ★	B	.3	.3
15	40BTB15	1008	2.652	2.405	1	7/8	1 ³ / ₁₆	B	.4	.3
16	40BTB16	1008	2.814	2.563	1	7/8	1 ⁵ / ₁₆	B	.5	.3
17	40BTB17	1210	2.975	2.721	1 1/4	1	2 3/8 ★	B	.5	.3
18	40BTB18	1210	3.315	2.879	1 1/4	1	2 ⁵ / ₃₂ ★	B	.6	.6
19	40BTB19	1210	3.296	3.038	1 1/4	1	2 ⁵ / ₃₂	B	.7	.6
20	40BTB20	1610	3.457	3.196	1 5/8	1	2 ²⁵ / ₃₂ ★	B	.7	.9
21	40BTB21	1610	3.617	3.355	1 5/8	1	2 ²⁵ / ₃₂	B	.8	.9
22	40BTB22	1610	3.778	3.513	1 5/8	1	2 ²⁵ / ₃₂	B	.9	.9
23	40BTB23	1610	3.938	3.672	1 5/8	1	3	B	1.0	.9
24	40BTB24	1610	4.098	3.831	1 5/8	1	3 1/4	B	1.4	.9
25	40BTB25	1610	4.258	3.989	1 5/8	1	3 1/4	B	1.5	.9
26	40BTB26	1610	4.418	4.148	1 5/8	1	3 1/4	B	1.7	.9
28	40BTB28	1610	4.738	4.466	1 7/8	1	3	B	1.8	.9
30	40BTB30	1610	5.057	4.783	1 7/8	1	3	B	1.9	.9
32	40BTB32	1610	5.377	5.101	1 7/8	1	3	B	1.9	.9
35	40BTB35	1610	5.855	5.578	1 7/8	1	3	B	2.3	.9
36	40BTB36	1610	6.015	5.737	1 7/8	1	3	B	2.4	.9
40	40BTB40	1610	6.653	6.373	1 7/8	1	3	B	2.8	.9
42	40BTB42	1610	6.972	6.691	1 7/8	1	3	B	2.9	.9
45	40BTB45	1610	7.451	7.168	1 7/8	1	3	B	3.5	.9
48	40BTB48	1610	7.928	7.645	1 7/8	1	3	B	4.0	.9
54	40BTB54	1610	8.885	8.599	1 7/8	1	3	B	4.9	.9
60	40BTB60	1610	9.841	9.554	1 7/8	1	3	B	6.0	.9
70	40BTB70	2012	11.434	11.145	2	1 1/4	3 7/16	B	8.2	1.7
72	40BTB72	2012	11.752	11.463	2	1 1/4	3 7/16	B	9.0	1.7
80	40BTB80	2012	13.026	12.736	2	1 1/4	3 7/16	B	10.8	1.7
84	40BTB84	2012	13.663	13.372	2	1 1/4	3 7/16	B	11.3	1.7
96	40BTB96	2012	15.573	15.282	2	1 1/4	3 7/16	B	14.6	1.7
112	40BTB112	2517	18.122	17.828	2 1/2	1 3/4	4 1/4	B	20.5	1.7

Taper Bore Sprockets American Standard Series

No.40-2

◇Pitch 1/2" ◇Roller Φ 0.312" ◇Tooth width b1 0.275" ◇Tooth width B2 0.841"



Single-Taper Bushed

No. Teeth	Number	Bushing	De	Dp	Max. Bore	L	C	Type	Weight (Approx.)	
									Rim Only	Bushing Only
15	D40TB15H	1008	2.652	2.405	1	7/8	1 17/64	A	.5	.3
16	D40TB16H	1008	2.814	2.563	1	7/8	1 17/64	A	.6	.3
17	D40TB17H	1008	2.975	2.721	1	7/8	1 17/64	A	.7	.3
18	D40TB18H	1210	3.135	2.879	1 1/4	1	2 5/16	B	.7	.6
19	D40TB19H	1210	3.296	3.038	1 1/4	1	2 1/2	B	.9	.6
20	D40TB20H	1610	3.457	3.196	1 5/8	1	2 5/8	B	.9	.9
21	D40TB21H	1610	3.617	3.355	1 5/8	1	2 3/4	B	1.0	.9
23	D40TB23H	1610	3.938	3.672	1 5/8	1	3	B	1.3	.9
25	D40TB25H	2012	4.258	3.989	2	1 1/4	3 13/32	B	1.6	.17
30	D40TB30	2012	5.057	4.783	2	1 1/4	4 15/64	B	3.4	1.7
36	D40TB36	2012	6.015	5.737	2	1 1/4	5 5/32	B	5.9	1.7
42	D40CTB42	2517	6.972	6.691	2 1/2	1 3/4	4 1/4	C	7.0	3.5
48	D40CTB48	2517	7.928	7.645	2 1/2	1 3/4	4 1/4	C	9.6	3.5
52	D40CTB52	2517	8.566	8.281	2 1/2	1 3/4	4 1/4	C	11.4	3.5
60	D40CTB60	2517	9.841	9.554	2 1/2	1 3/4	4 1/4	C	15.4	3.5
68	D40CTB68	2517	11.115	10.826	2 1/2	1 3/4	4 1/4	C	20.5	3.5
76	D40CTB76	2517	12.389	12.099	2 1/2	1 3/4	4 1/4	C	25.7	3.5
84	D40CTB84	2517	13.663	13.372	2 1/2	1 3/4	4 1/4	C	31.6	3.5
95	D40CTB95	2517	15.414	15.122	2 1/2	1 3/4	4 1/4	C	34.1	3.5
102	D40CTB102	2517	16.529	16.236	2 1/2	1 3/4	4 1/4	C	36.8	3.5

NOTE: Double 40 stock sprockets with 25 teeth or less have hardened teeth.

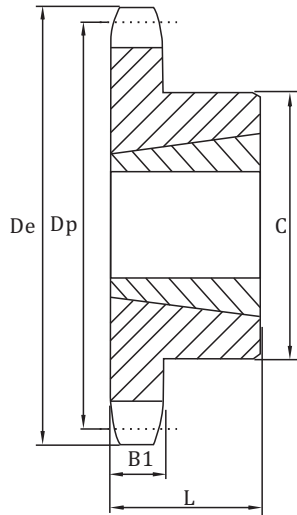
Taper Bore Sprockets American Standard Series

No.50

◇Pitch 5/8" ◇Roller Φ 0.400" ◇Tooth width B1 0.343"

Single-Taper Bushed With Hardened Teeth

No. Teeth	Number
12	50BTB12H
13	50BTB13H
14	50BTB14H
15	50BTB15H
16	50BTB16H
17	50BTB17H
18	50BTB18H
19	50BTB19H
20	50BTB20H
21	50BTB21H
22	50BTB22H
23	50BTB23H
24	50BTB24H
25	50BTB25H
26	50BTB26H
27	50BTB27H
28	50BTB28H
30	50BTB30H



TYPE B

Single-Taper Bushed

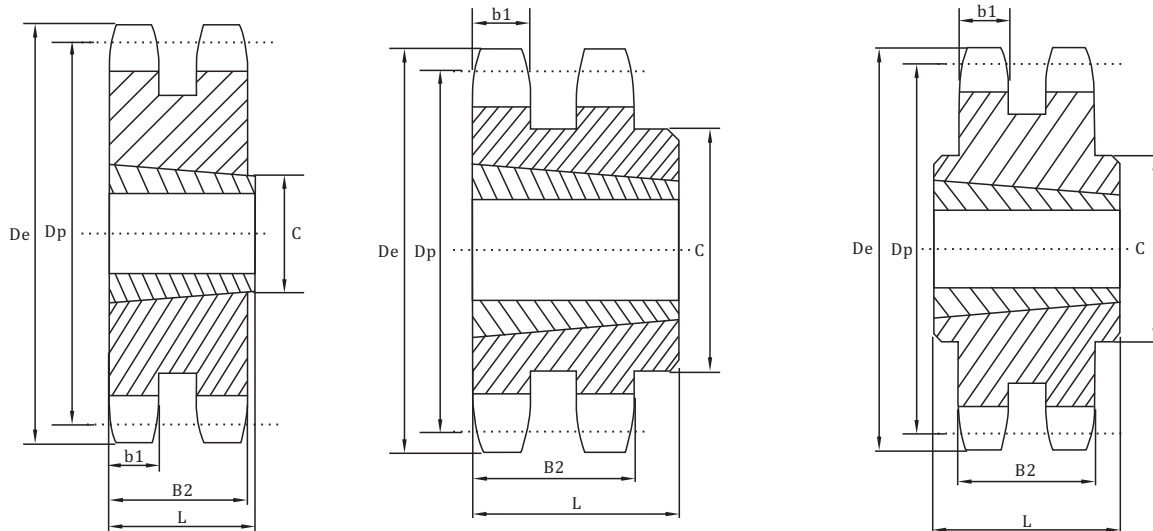
No. Teeth	Number	Bushing	De	Dp	Max. Bore	L	C	Type	Weight (Approx.)	
									Rim Only	Bushing Only
12	50BTB12	1008	2.708	2.415	1	7/8	1 15/16 ★	B	.5	.3
13	50BTB13	1008	2.911	2.612	1	7/8	1 17/16	B	.5	.3
14	50BTB14	1008	3.113	2.809	1	7/8	1 15/16	B	.6	.3
15	50BTB15	1210	3.315	3.006	1 1/4	1	2 15/32 ★	B	.7	.6
16	50BTB16	1610	3.517	3.204	1 5/8	1	2 25/32 ★	B	.7	.9
17	50BTB17	1610	3.719	3.401	1 5/8	1	2 25/32 ★	B	.8	.9
18	50BTB18	1610	3.920	3.599	1 5/8	1	2 25/32	B	.9	.9
19	50BTB19	1610	4.120	3.797	1 5/8	1	3	B	1.3	.9
20	50BTB20	1610	4.321	3.995	1 5/8	1	3 1/4	B	1.6	.9
21	50BTB21	1610	4.522	4.193	1 5/8	1	3	B	1.5	.9
22	50BTB22	1610	4.722	4.392	1 5/8	1	3	B	1.6	.9
23	50BTB23	2012	4.922	4.590	2	1 1/4	3 7/16	B	2.0	1.7
24	50BTB24	2012	5.122	4.788	2	1 1/4	3 7/16	B	2.2	1.7
25	50BTB25	2012	5.322	4.987	2	1 1/4	3 7/16	B	2.4	1.7
26	50BTB26	2012	5.522	5.185	2	1 1/4	3 7/16	B	2.5	1.7
27	50BTB27	2012	5.723	5.384	2	1 1/4	3 7/16	B	2.6	1.7
28	50BTB28	2012	5.922	5.582	2	1 1/4	3 7/16	B	2.8	1.7
30	50BTB30	2012	6.321	5.979	2	1 1/4	3 7/16	B	3.2	1.7
32	50BTB32	2012	6.721	6.376	2	1 1/4	3 7/16	B	3.6	1.7
35	50BTB35	2012	7.319	6.972	2	1 1/4	3 7/16	B	4.2	1.7
36	50BTB36	2012	7.519	7.171	2	1 1/4	3 7/16	B	4.3	1.7
40	50BTB40	2012	8.316	7.966	2	1 1/4	3 7/16	B	5.2	1.7
42	50BTB42	2012	8.715	8.363	2	1 1/4	3 7/16	B	5.9	1.7
45	50BTB45	2012	9.313	8.960	2	1 1/4	3 7/16	B	6.5	1.7
48	50BTB48	2012	9.911	9.556	2	1 1/4	3 7/16	B	7.3	1.7
54	50BTB54	2012	11.106	10.749	2	1 1/4	3 7/16	B	9.0	1.7
60	50BTB60	2012	12.301	11.942	2	1 1/4	3 7/16	B	10.8	1.7
70	50BTB70	2517	14.292	13.931	2 1/2	1 3/4	3 1/4	B	14.0	3.5
72	50BTB72	2517	14.690	14.329	2 1/2	1 3/4	3 1/4	B	15.5	3.5
80	50BTB80	2517	16.282	15.920	2 1/2	1 3/4	3 1/4	B	19.5	3.5
84	50BTB84	2517	17.079	16.715	2 1/2	1 3/4	3 1/4	B	22.5	3.5
96	50BTB96	2517	19.466	19.102	2 1/2	1 3/4	3 1/4	B	29.0	3.5
112	50BTB112	2517	22.651	22.285	2 1/2	1 3/4	3 1/4	B	38.7	3.5

★ Has recessed groove in hub for chain clearance.

Taper Bore Sprockets American Standard Series

No.50-2

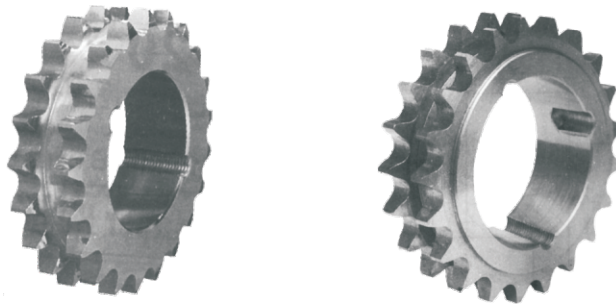
◇Pitch 5/8" ◇Roller Φ 0.400" ◇Tooth width B1 0.332" ◇Tooth width B2 1.045"



TYPE A

TYPE B

TYPE C



Double-Taper Bushed

No. Teeth	Number	Bushing	De	Dp	Max. Bore	L	C	Type	Weight (Approx.)	
									Rim Only	Bushing Only
14	D50ATB14H	1008	3.113	2.809	1	7/8		A	.8	.3
15	D50ATB15H	1210	3.315	3.006	1 1/4	1		A	.9	.6
16	D50ATB16H	1210	3.517	3.204	1 1/4	1		A	1.1	.6
17	D50ATB17H	1610	3.719	3.410	1 5/8	1		A	1.1	.6
18	D50ATB18H	1610	3.920	3.599	1 5/8	1		A	1.3	.9
19	D50ATB19H	1610	4.120	3.797	1 5/8	1		A	1.6	.9
20	D50ATB20H	2012	4.321	3.995	2	1 1/4	3 1/4	B	1.5	1.7
21	D50ATB21H	2012	4.522	4.193	2	1 1/4	3 1/2	B	1.9	1.7
25	D50ATB25H	2012	5.322	4.987	2	1 1/4	4 9/32	B	3.8	1.7
30	D50CTB30	2517	6.321	5.979	2 1/2	1 3/4	5 9/32	B	7.5	3.5
36	D50CTB36	2517	7.519	7.171	2 1/2	1 3/4	4 1/4	C	9.4	3.5
42	D50CTB42	2517	8.715	8.363	2 1/2	1 3/4	4 1/4	C	13.4	3.5
48	D50CTB48	2517	9.911	9.556	2 1/2	1 3/4	4 1/4	C	18.6	3.5
52	D50CTB52	2517	10.707	10.351	2 1/2	1 3/4	4 3/8	C	22.2	3.5
60	D50CTB60	2517	12.301	11.942	2 1/2	1 3/4	4 3/8	C	30.3	3.5
68	D50CTB68	2517	13.893	13.533	2 1/2	1 3/4	4 3/8	C	39.4	3.5
76	D50CTB76	2517	15.486	15.124	2 1/2	1 3/4	4 3/8	C	41.2	3.5
84	D50CTB84	2517	17.079	16.715	2 1/2	1 3/4	4 3/8	C	45.3	3.5
95	D50CTB95	2517	19.267	18.903	2 1/2	1 3/4	4 3/8	C	58.8	3.5
102	D50CTB102	2517	20.661	20.295	2 1/2	1 3/4	4 3/8	C	67.1	3.5

NOTE: Double 50 stock sprockets with 25 teeth or less have hardened teeth.

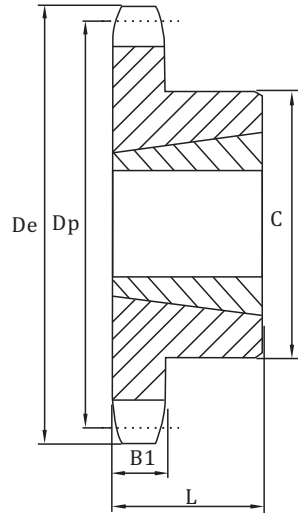
Taper Bore Sprockets American Standard Series

No.60

◇ Pitch 3/4" ◇ Roller Φ 0.468" ◇ Tooth width B1 0.459"

Single-Taper Bushed With Hardened Teeth

No. Teeth	Number
11	60BTB11H
12	60BTB12H
13	60BTB13H
14	60BTB14H
15	60BTB15H
16	60BTB16H
17	60BTB17H
18	60BTB18H
19	60BTB19H
20	60BTB20H
21	60BTB21H
22	60BTB22H
23	60BTB23H
24	60BTB24H
25	60BTB25H
26	60BTB26H
27	60BTB27H
28	60BTB28H
30	60BTB30H



TYPE B

Single-Taper Bushed

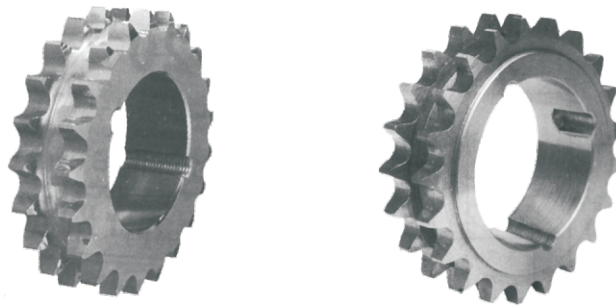
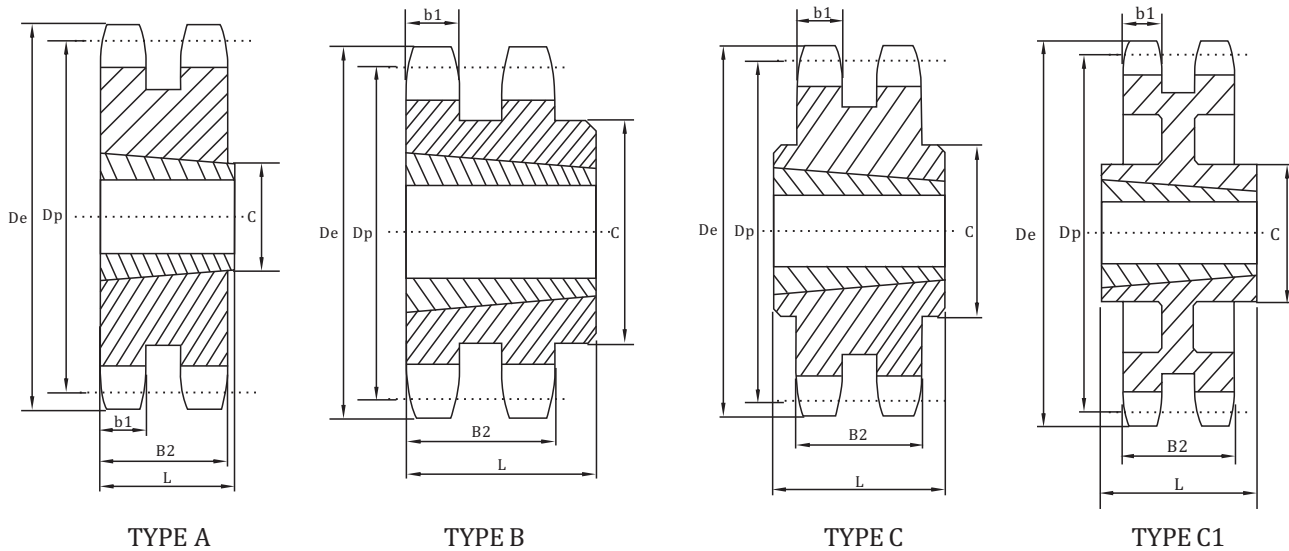
No. Teeth	Number	Bushing	De	Dp	Max. Bore	L	C	Type	Weight (Approx.)	
									Rim Only	Bushing Only
11	60BTB11	1008	3.004	2.662	1	7/8	1 13/16	B	.6	.3
12	60BTB12	1008	3.249	2.898	1	7/8	1 15/16	B	.8	.3
13	60BTB13	1210	3.493	3.134	1 1/4	1	2 15/32 ★	B	.8	.6
14	60BTB14	1210	3.736	3.371	1 1/4	1	2 15/32	B	1.0	.6
15	60BTB15	1610	3.979	3.607	1 5/8	1	2 25/32	B	1.0	.9
16	60BTB16	1610	4.221	3.844	1 5/8	1	3	B	1.4	.9
17	60BTB17	1610	4.462	4.082	1 5/8	1	3 1/4	B	1.8	.9
18	60BTB18	1610	4.704	4.319	1 5/8	1	3 1/4	B	1.9	.9
19	60BTB19	1610	4.945	4.557	1 5/8	1	3 1/4	B	2.2	.9
20	60BTB20	2012	5.185	4.794	2	1 1/4	3 9/16	B	2.2	1.7
21	60BTB21	2012	5.426	5.032	2	1 1/4	3 9/16	B	2.5	1.7
22	60BTB22	2012	5.666	5.270	2	1 1/4	3 9/16	B	2.8	1.7
23	60BTB23	2012	5.907	5.508	2	1 1/4	3 9/16	B	3.1	1.7
24	60BTB24	2012	6.147	5.746	2	1 1/4	3 9/16	B	3.4	1.7
25	60BTB25	2012	6.387	5.984	2	1 1/4	3 9/16	B	3.7	1.7
26	60BTB26	2012	6.627	6.222	2	1 1/4	3 9/16	B	4.0	1.7
27	60BTB27	2012	6.867	6.416	2	1 1/4	3 9/16	B	4.2	1.7
28	60BTB28	2012	7.107	6.699	2	1 1/4	3 9/16	B	4.6	1.7
30	60BTB30	2012	7.586	7.175	2	1 1/4	3 9/16	B	5.2	1.7
32	60BTB32	2012	8.065	7.652	2	1 1/4	3 9/16	B	5.6	1.7
35	60BTB35	2012	8.783	8.367	2	1 1/4	3 9/16	B	6.4	1.7
36	60BTB36	2012	9.022	8.605	2	1 1/4	3 9/16	B	6.6	1.7
40	60BTB40	2012	9.980	9.559	2	1 1/4	3 9/16	B	8.3	1.7
42	60BTB42	2012	10.458	10.036	2	1 1/4	3 9/16	B	10.0	1.7
45	60BTB45	2012	11.175	10.752	2	1 1/4	3 9/16	B	11.5	1.7
48	60BTB48	2012	11.893	11.467	2	1 1/4	3 9/16	B	13.2	1.7
54	60BTB54	2517	13.327	12.899	2 1/2	1 3/4	4 1/4	B	17.1	3.5
60	60BTB60	2517	14.761	14.330	2 1/2	1 3/4	4 1/4	B	21.0	3.5
70	60BTB70	2517	17.150	16.717	2 1/2	1 3/4	4 1/4	B	27.6	3.5
72	60BTB72	2517	17.628	17.194	2 1/2	1 3/4	4 1/4	B	30.0	3.5
80	60BTB80	2517	19.539	19.103	2 1/2	1 3/4	4 1/4	B	36.3	3.5
84	60BTB84	2517	20.494	20.058	2 1/2	1 3/4	4 1/4	B	40.6	3.5

★ Has recessed groove in hub for chain clearance.

Taper Bore Sprockets American Standard Series

No.60-2

◇Pitch 3/4" ◇Roller Φ 0.468" ◇Tooth width b1 0.444" ◇Tooth width B2 1.341"



Double-Taper Bushed

No. Teeth	Number	Bushing	De	Dp	Max. Bore	L	C	Type	Weight (Approx.)	
									Rim Only	Bushing Only
13	D60BTB13H	1215	3.493	3.134	1 1/4	1 1/2	2 1/4	B	1.2	1.6
14	D60BTB14H	1215	3.736	3.371	1 1/4	1 1/2	2 1/2	B	1.6	1.7
15	D60BTB15H	1615	3.979	3.607	1 5/8	1 1/2	2 13/16	B	1.3	1.8
16	D60BTB16H	1615	4.221	3.844	1 5/8	1 1/2	3	B	2.2	2.3
17	D60BTB17H	1615	4.462	4.082	1 5/8	1 1/2	3 1/4	B	2.5	2.8
18	D60BTB18H	2012	4.704	4.319	2	1 1/4		A	3.0	2.4
19	D60BTB19H	2012	4.945	4.557	2	1 1/4		A	3.5	2.9
20	D60BTB20H	2517	5.185	4.794	2 1/2	1 3/4	3 61/64	B	4.0	2.9
21	D60BTB21H	2517	5.426	5.032	2 1/2	1 3/4	4 3/16	B	5.0	3.8
25	D60BTB25H	2517	6.387	4.984	2 1/2	1 3/4	5 5/32	B	7.5	7.4
30	D60BTB30	2517	7.586	7.175	2 1/2	1 3/4	6 11/32	B	13.5	13.3
36	D60BTB36	2517	9.022	8.605	2 1/2	1 3/4	4 1/4	C	17.5	17.4
42	D60BTB42	2517	10.458	10.036	2 1/2	1 3/4	4 1/4	C	25.5	25.0
45	D60BTB45	2517	11.176	10.752	2 1/2	1 3/4	4 1/4	C	29.5	29.3
52	D60BTB52	2517	12.849	12.422	2 1/2	1 3/4	4 1/4	C	41.0	40.3
60	D60BTB60	2517	14.761	14.330	2 1/2	1 3/4	4 1/4	C1	32.5	33.5
68	D60BTB68	2517	16.672	16.240	2 1/2	1 3/4	4 1/2	C1	36.5	43.2
76	D60BTB76	3020	18.583	18.149	3	2	5 1/4	C1	42.5	47.8
95	D60BTB95	3020	23.121	22.684	3	2	5 1/4	C1	48.5	69.8

NOTE: Double 60 stock sprockets with 25 teeth or less have hardened teeth.

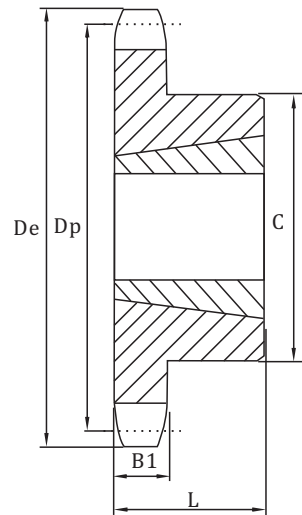
Taper Bore Sprockets American Standard Series

No.80

◇ Pitch 1" ◇ Roller Φ 0.625" ◇ Tooth width B1 0.575"

Single-Taper Bushed With Hardened Teeth

No. Teeth	Number
10	80BTB10H
11	80BTB11H
12	80BTB12H
13	80BTB13H
14	80BTB14H
15	80BTB15H
16	80BTB16H
17	80BTB17H
18	80BTB18H
19	80BTB19H
20	80BTB20H
21	80BTB21H
22	80BTB22H
23	80BTB23H
24	80BTB24H
25	80BTB25H
26	80BTB26H
27	80BTB27H
28	80BTB28H
30	80BTB30H



TYPE B



Single-Taper Bushed

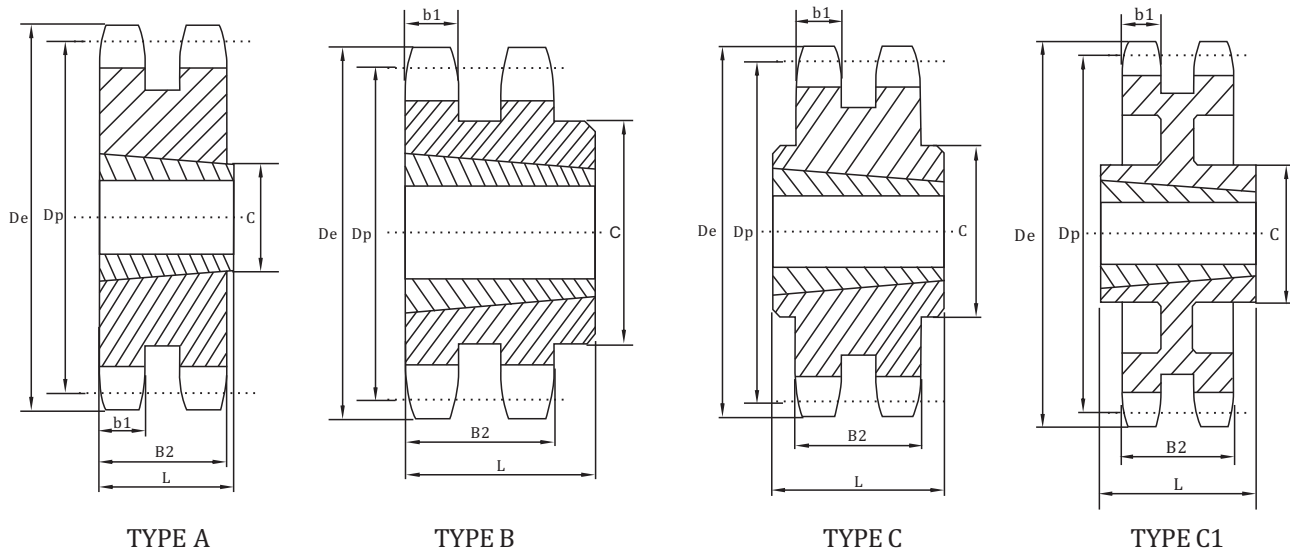
No. Teeth	Number	Bushing	De	Dp	Max. Bore	L	C	Type	Weight (Approx.)	
									Rim Only	Bushing Only
10	80BTB10	1215	3.678	3.236	1 1/4	1 1/2	2 3/8 ★	B	1.1	.8
11	80BTB11	1215	4.006	3.549	1 1/4	1 1/2	2 15/32 ★	B	1.5	.8
12	80BTB12	1615	4.332	3.864	1 5/8	1 1/2	3 ★	B	1.8	1.2
13	80BTB13	1615	4.657	4.179	1 5/8	1 1/2	3	B	2.3	1.2
14	80BTB14	1615	4.982	4.494	1 5/8	1 1/2	3 1/4	B	2.5	1.2
15	80BTB15	1615	5.305	4.810	1 5/8	1 1/2	3 1/4	B	2.7	1.2
16	80BTB16	2012	5.627	5.126	2	1 3/4	3 5/16	B	2.8	1.7
17	80BTB17	2012	5.950	5.442	2	1 3/4	3 5/16	B	3.1	1.7
18	80BTB18	2012	6.271	5.759	2	1 3/4	3 5/16	B	2.6	1.7
19	80BTB19	2012	6.593	6.076	2	1 3/4	3 5/16	B	4.1	1.7
20	80BTB20	2517	6.914	6.392	2 1/2	1 3/4	4 1/4	B	5.5	1.7
21	80BTB21	2517	7.235	6.710	2 1/2	1 3/4	4 1/4	B	6.0	3.5
22	80BTB22	2517	7.555	7.027	2 1/2	1 3/4	4 1/4	B	6.5	3.5
23	80BTB23	2517	7.875	7.344	2 1/2	1 3/4	4 1/4	B	7.0	3.5
24	80BTB24	2517	8.196	7.661	2 1/2	1 3/4	4 1/4	B	7.5	3.5
25	80BTB25	2517	8.516	7.979	2 1/2	1 3/4	4 1/4	B	8.1	3.5
26	80BTB26	2517	8.836	8.296	2 1/2	1 3/4	4 1/4	B	8.8	3.5
27	80BTB27	2517	9.156	8.614	2 1/2	1 3/4	4 1/4	B	9.0	3.5
28	80BTB28	2517	9.475	8.931	2 1/2	1 3/4	4 1/4	B	9.5	3.5
30	80BTB30	2517	10.114	9.567	2 1/2	1 3/4	4 1/4	B	11.5	3.5
32	80BTB32	2517	10.753	10.202	2 1/2	1 3/4	4 1/4	B	12.0	3.5
35	80BTB35	2517	11.711	11.156	2 1/2	1 3/4	4 1/4	B	15.2	3.5
36	80BTB36	2517	12.030	11.474	2 1/2	1 3/4	4 1/4	B	17.0	3.5
40	80BTB40	2517	13.306	12.746	2 1/2	1 3/4	4 1/4	B	21.0	3.5
45	80BTB45	2517	14.901	14.336	2 1/2	1 3/4	4 1/4	B	26.5	3.5
48	80BTB48	2517	15.857	15.290	2 1/2	1 3/4	4 1/4	B	29.5	3.5
54	80BTB54	2517	17.769	17.198	2 1/2	1 3/4	4 1/4	B	38.5	3.5
60	80BTB60	2517	19.681	19.107	2 1/2	1 3/4	4 1/4	B	45.0	3.5
70	80BTB70	3020	22.867	22.289	3	2	5 1/4	B	52.3	6.5
80	80BTB80	3020	26.052	25.471	3	2	5 1/4	B	69.2	6.5

★ Has recessed groove in hub for chain clearance.

Taper Bore Sprockets American Standard Series

No.80-2

◇Pitch 1" ◇Roller Φ 0.625" ◇Tooth width b1 0.557" ◇Tooth width B2 1.710"



Double-Taper Bushed

No. Teeth	Number	Bushing	De	Dp	Max. Bore	L	C	Type	Weight (Approx.)	
									Rim Only	Bushing Only
13	D80ATB13H	1615	4.657	4.179	1 5/8	1 1/2		A	3.4	1.2
14	D80ATB14H	2012	4.982	4.494	2	1 1/4		A	3.5	1.7
15	D80ATB15H	2012	5.305	4.810	2	1 1/4		A	4.3	1.7
16	D80ATB16H	2517	5.627	5.126	2 1/2	1 3/4	3 1/8	A	3.8	3.5
17	D80ATB17H	2517	5.950	5.442	2 1/2	1 3/4	3 1/8	A	5.1	3.5
18	D80ATB18H	2517	6.271	5.759	2 1/2	1 3/4	3 1/8	A	6.4	3.5
19	D80ATB19H	3020	6.593	6.076	3	2	5	B	5.6	6.5
20	D80ATB20H	3020	6.914	6.392	3	2	5 1/4	B	7.1	6.5
21	D80ATB21H	3020	7.235	6.710	3	2	5 9/16	B	8.9	6.5
25	D80ATB25H	3020	8.516	7.979	3	2	6 7/8	B	16.5	6.5
30	D80CTB30	3020	10.114	9.567	3	2	5 1/4	C	25.1	6.5
36	D80CTB36	3020	12.030	11.474	3	2	5 1/4	C	39.4	6.5
42	D80CTB42	3020	13.944	13.392	3	2	5 1/4	C	36.4	6.5
45	D80CTB45	3020	14.901	14.336	3	2	5 1/4	C1	41.4	6.5
52	D80CTB52	3020	17.132	16.562	3	2	5 1/4	C1	56.2	6.5
60	D80CTB60	3020	19.681	19.107	3	2	5 1/4	C1	66.3	6.5
68	D80CTB68	3020	22.230	21.653	3	2	5 1/4	C1	72.0	6.5
76	D80CTB76	3020	24.778	24.198	3	2	5 1/4	C1	89.1	6.5
95	D80CTB95	3020	30.828	30.245	3	2	5 1/4	C1	112	6.5

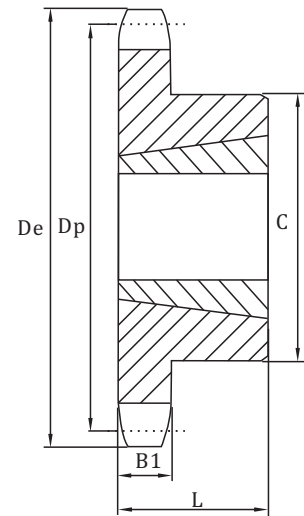
Taper Bore Sprockets American Standard Series

No.100
No.120

◇ Pitch 1-1/4" ◇ Roller Φ 0.750" ◇ Tooth width B1 0.692"

Single-Taper Bushed

No. Teeth	Number	Bushing	De	Dp	Max. Bore	L	C	Type	Weight (Approx.)	
									Rim Only	Bushing Only
11	100BTB11	1615	5.007	4.437	1 ⁵ / ₈	1 ¹ / ₂	3	B	2.7	1.2
12	100BTB12	1615	5.415	4.830	1 ⁵ / ₈	1 ¹ / ₂	3 ¹ / ₄	B	3.5	1.2
13	100BTB13	2012	5.821	5.223	2	1 ¹ / ₄	3 ⁹ / ₁₆	B	3.6	1.7
14	100BTB14	2012	6.227	5.617	2	1 ¹ / ₄	4 ⁹ / ₁₆	B	3.9	1.7
15	100BTB15	2517	6.631	6.012	2 ¹ / ₂	1 ³ / ₄	4 ¹ / ₂	B	5.0	3.5
16	100BTB16	2517	7.034	6.407	2 ¹ / ₂	1 ³ / ₄	4 ¹ / ₂	B	6.4	3.5
17	100BTB17	2517	7.437	6.803	2 ¹ / ₂	1 ³ / ₄	4 ¹ / ₂	B	7.1	3.5
18	100BTB18	2517	7.839	7.198	2 ¹ / ₂	1 ³ / ₄	4 ¹ / ₂	B	7.8	3.5
19	100BTB19	2517	8.241	7.594	2 ¹ / ₂	1 ³ / ₄	4 ¹ / ₂	B	8.7	3.5
20	100BTB20	2517	8.642	7.991	2 ¹ / ₂	1 ³ / ₄	4 ¹ / ₂	B	9.6	3.5
21	100BTB21	2517	9.043	8.387	2 ¹ / ₂	1 ³ / ₄	4 ¹ / ₂	B	10.6	3.5
22	100BTB22	2517	9.444	8.783	2 ¹ / ₂	1 ³ / ₄	4 ¹ / ₂	B	11.0	3.5
24	100BTB24	2517	10.245	9.577	2 ¹ / ₂	1 ³ / ₄	4 ¹ / ₂	B	13.0	3.5
26	100BTB26	2517	11.045	10.370	2 ¹ / ₂	1 ³ / ₄	4 ¹ / ₂	B	15.0	3.5
28	100BTB28	3020	11.844	11.164	3	2	5 ¹ / ₄	B	16.5	6.5
30	100BTB30	3020	12.643	11.958	3	2	5 ¹ / ₄	B	22.0	6.5
32	100BTB32	3020	13.442	12.753	3	2	5 ¹ / ₄	B	23.0	6.5
35	100BTB35	3020	14.639	13.945	3	2	5 ¹ / ₄	B	28.0	6.5
36	100BTB36	3020	15.038	14.342	3	2	5 ¹ / ₄	B	31.0	6.5
40	100BTB40	3020	16.633	15.932	3	2	5 ¹ / ₄	B	37.0	6.5
45	100BTB45	3020	18.626	17.919	3	2	5 ¹ / ₄	B	46.0	6.5
48	100BTB48	3020	19.821	19.112	3	2	5 ¹ / ₄	B	53.0	6.5
54	100BTB54	3020	22.212	21.498	3	2	5 ¹ / ₄	B	62.0	6.5
60	100BTB60	3020	24.601	23.884	3	2	5 ¹ / ₄	B	72.0	6.5

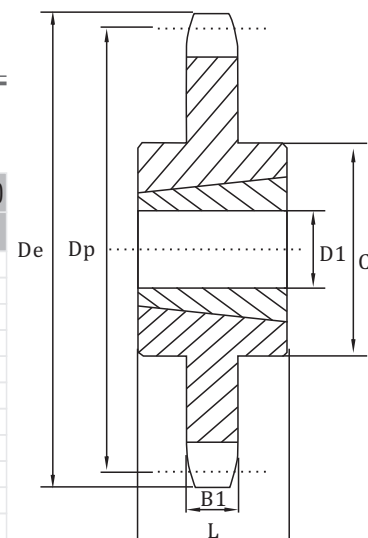


TYPE B

◇ Pitch 1 1/2" ◇ Roller Φ 0.875" ◇ Tooth width B1 0.924"

Single-Taper Bushed

No. Teeth	Number	Bushing	De	Dp	Max. Bore	L	C	Type	Weight (Approx.)	
									Rim Only	Bushing Only
12	120BTB12	2012	6.498	5.796	2	1 ¹ / ₄	3 ⁹ / ₁₆	B	5.5	1.7
13	120BTB13	2517	6.896	6.268	2 ¹ / ₂	1 ³ / ₄	4 ¹ / ₄	B	6.0	3.5
14	120BTB14	2517	7.472	6.741	2 ¹ / ₂	1 ³ / ₄	4 ¹ / ₄	B	7.0	3.5
15	120BTB15	2517	7.957	7.215	2 ¹ / ₂	1 ³ / ₄	4 ¹ / ₄	B	8.0	3.5
16	120BTB16	3020	8.441	7.689	3	2	5 ¹ / ₄	B	10.0	6.5
17	120BTB17	3020	8.924	8.163	3	2	5 ¹ / ₄	B	11.0	6.5
18	120BTB18	3020	9.407	8.638	3	2	5 ¹ / ₄	B	12.0	6.5
19	120BTB19	3020	9.889	9.113	3	2	5 ¹ / ₄	B	14.0	6.5
20	120BTB20	3020	10.371	9.588	3	2	5 ¹ / ₄	B	15.5	6.5
21	120BTB21	3020	10.851	10.064	3	2	5 ¹ / ₄	B	17.5	6.5
24	120BTB24	3020	12.294	11.492	3	2	5 ¹ / ₄	B	23.5	6.5
26	120BTB26	3020	13.254	12.444	3	2	5 ¹ / ₄	B	28.5	6.5
30	120BTB30	3020	15.171	14.351	3	2	5 ¹ / ₄	B	33.5	6.5
35	120CTB35	3020	17.566	16.734	3	2	5 ¹ / ₄	C	52.0	6.5
45	120CTB45	3020	22.351	21.503	3	2	5 ⁷ / ₈	C	82.0	9.2
60	120CTB60	3535	29.522	28.661	3 ¹ / ₂	3 ¹ / ₂	6 ¹ / ₂	C	140.0	14.0
70	120CTB70	3535	34.301	33.434	3 ¹ / ₂	3 ¹ / ₂	6 ¹ / ₂	C	175.0	14.0
80	120CTB80	3535	39.078	38.207	3 ¹ / ₄	3 ¹ / ₂	6 ¹ / ₂	C	220.0	14.0



TYPE C

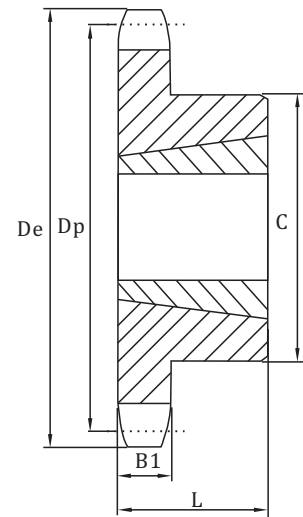
Taper Bore Sprockets American Standard Series

No.140
No.160

◇Pitch 1-3/4" ◇Roller Φ 1.000" ◇Tooth width B1 0.924"

Single-Taper Bushed

No. Teeth	Number	Bushing	De	Dp	Max. Bore	L	C	Type	Weight (Approx.)	
									Rim Only	Bushing Only
12	140BTB12	2517	7.581	6.762	2 1/2	1 3/4	4 1/4	B	7.0	3.5
13	140BTB13	3020	8.150	7.313	3	2	5 1/4	B	8.0	6.5
14	140BTB14	3020	8.718	7.864	3	2	5 1/4	B	10.0	6.5
15	140BTB15	3020	9.283	8.417	3	2	5 1/4	B	12.0	6.5
16	140BTB16	3020	9.848	8.970	3	2	5 1/4	B	14.0	6.5
17	140BTB17	3020	10.411	9.524	3	2	5 1/4	B	16.0	6.5
18	140BTB18	3020	10.975	10.078	3	2	5 1/4	B	18.0	6.5
19	140BTB19	3020	11.537	10.632	3	2	5 1/4	B	20.0	6.5
21	140BTB21	3020	12.660	11.742	3	2	5 1/4	B	24.0	6.5
26	140BTB26	3020	15.463	14.518	3	2	5 1/4	B	40.0	6.5
35	140BTB35	3535	20.494	19.523	3 1/2	3 1/2	6 1/2	C	78.0	14
45	140BTB45	4040	26.076	25.087	4	4	7 3/4	C	118.0	22
60	140BTB60	4040	34.442	33.438	4	4	7 3/4	C	188.0	22
70	140BTB70	4040	40.017	39.006	4	4	7 3/4	C	241.0	22

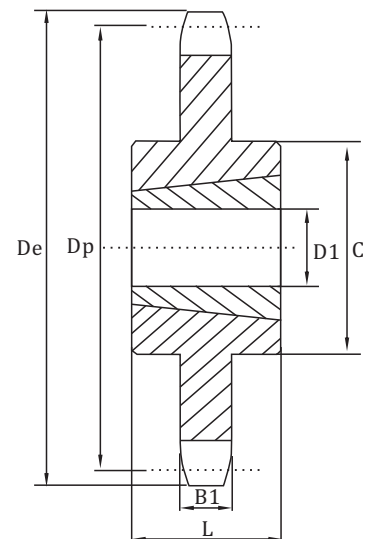


TYPE B

◇Pitch 2" ◇Roller Φ 1.125" ◇Tooth width B1 1.156"

Single-Taper Bushed

No. Teeth	Number	Bushing	De	Dp	Max. Bore	L	C	Type	Weight (Approx.)	
									Rim Only	Bushing Only
11	140BTB11	2517	8.011	7.099	2 1/2	1 3/4	4 1/4	B	9.0	3.5
12	140BTB12	3020	8.664	7.727	3	2	5 1/4	B	11.0	6.5
13	140BTB13	3020	9.314	8.357	3	2	5 1/4	B	13.0	6.5
14	140BTB14	3020	9.963	8.988	3	2	5 1/4	B	16.0	6.5
15	140BTB15	3535	10.609	9.620	3 1/2	3 1/2	6 1/2	B	25.0	14.0
16	140BTB16	3535	11.255	10.252	3 1/2	3 1/2	6 1/2	B	28.0	14.0
17	140BTB17	3535	11.899	10.885	3 1/2	3 1/2	6 1/2	B	32.0	14.0
18	140BTB18	3535	12.543	11.518	3 1/2	3 1/2	6 1/2	B	35.0	14.0
19	140BTB19	3535	13.185	12.151	3 1/2	3 1/2	6 1/2	B	39.0	14.0
21	140BTB21	3535	14.470	13.419	3 1/2	3 1/2	6 1/2	B	48.0	14.0
26	140BTB26	3535	17.671	16.593	3 1/2	3 1/2	6 1/2	B	68.0	14.0
35	140BTB35	4040	23.422	22.312	4	4	7 3/4	C	118	14.0
45	140BTB45	4040	29.802	28.671	4	4	7 3/4	C	186	22.0
60	140BTB60	4545	39.362	38.215	4 1/2	4 1/2	7 3/4	C	292	30.0



TYPE C