

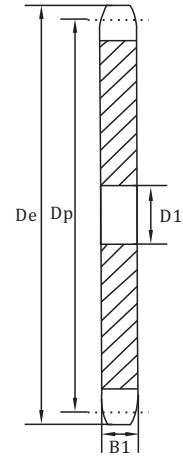
Double Pitch Sprockets American Standard Series

No.2040
No.2042

◇ Pitch 1" ◇ Tooth width B1 0.284"

Conveyor or Drive Series-Standard Roller Double Pitch-2040/C2040

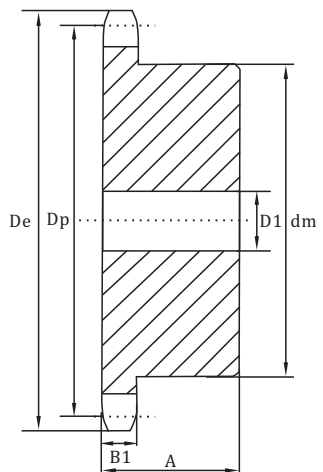
No. Teeth Double Duty	De	Dp	Number	Type	D1		Dm	A	Wt. Lbs. (Approx.)
					Min	Max.			
11	2.000	1.852	2040B11	B	1/2	13/16	1 3/8 ★	7/8	.34
12	2.170	2.000	2040B12	B	1/2	13/16	1 9/16 ★	7/8	.44
13	2.330	2.152	2040B13	B	1/2	21/32	1 9/16 ★	7/8	.48
14	2.490	2.305	2040B14	B	1/2	1 1/32	1 11/16 ★	7/8	.60
15	2.650	2.458	2040B15	B	5/8	1 7/32	1 23/32	7/8	.66
16	2.810	2.613	2040B16	B	5/8	1 9/32	1 7/8	7/8	.76
17	2.980	2.768	2040B17	B	5/8	1 5/16	2 3/64	1	1.00
18	3.140	2.924	2040B18	B	5/8	1 15/32	2 7/32	1	1.16
19	3.300	3.080	2040B19	B	5/8	1 5/8	2 3/8	1	1.36
20	3.460	3.236	2040B20	B	5/8	1 3/4	2 35/64	1	1.54
21	3.620	3.392	2040B21	B	5/8	1 25/32	2 5/64	1	1.74
22	3.780	3.549	2040B22	B	5/8	1 7/8	2 7/8	1	1.92
23	3.940	3.706	2040B23	B	5/8	2	3	1	2.16
24	4.100	3.864	2040B24	B	5/8	2 1/4	3 1/4	1	2.44
25	4.260	4.021	2040B25	B	5/8	2 1/4	3 1/4	1	2.48
26	4.420	4.179	2040B26	C	5/8	2 1/4	3 1/4	1	2.60
28	4.740	4.494	2040B28	C	5/8	2 1/4	3 1/4	1	.34
30	5.060	4.810	2040B30	C	5/8	2 1/4	3 1/4	1	.33



TYPE A

Conveyor Series-Carrier Roller Double Pitch-2042/C2042

No. Teeth Double Duty	De	Dp	Number	Type	D1		Dm	A	Wt. Lbs. (Approx.)	Type	Number	D1	Wt. Lbs. (Approx.)
					Min	Max.							
8	3.010	2.613	2042B8	B	5/8	1 9/32	1 7/8	7/8	.72				
9	3.350	2.924	2042B9	B	5/8	1 15/32	2 7/32	7/8	1.02				
10	3.680	3.236	2042B10	B	5/8	1 3/4	2 35/64	1	1.50				
11	4.000	3.549	2042B11	B	5/8	1 7/8	2 5/8	1	1.68				
12	4.330	3.864	2042B12	B	5/8	2 1/4	3 1/16	1	2.22				
13	4.660	4.179	2042B13	B	5/8	2 1/4	3 1/4	1	2.56				
14	4.980	4.494	2042B14	B	5/8	2 1/4	3 1/4	1	2.72				
15	5.300	4.810	2042B15	B	5/8	2 1/4	3 1/4	1	2.90				
16	5.630	5.126	2042B16	B	5/8	2 1/4	3 1/4	1	3.10	A	2042A16	19/32	1.38
17	5.950	5.442	2042B17	B	5/8	2 1/4	3 1/4	1	3.40	A	2042A17	19/32	1.66
18	6.270	5.759	2042B18	B	5/8	2 1/4	3 1/4	1	3.56	A	2042A18	19/32	1.88
19	6.590	6.076	2042B19	B	5/8	2 1/4	3 1/4	1	3.72	A	2042A19	19/32	2.06
20	6.910	6.392	2042B20	B	3/4	2 3/8	3 1/2	1 1/8	4.72	A	2042A20	19/32	2.40
21	7.240	6.710	2042B21	B	3/4	2 3/8	3 1/2	1 1/8	4.84	A	2042A21	23/32	2.62
22	7.560	7.027	2042B22	B	3/4	2 3/8	3 1/2	1 1/8	5.04	A	2042A22	23/32	2.88
23	7.880	7.344	2042B23	B	3/4	2 3/8	3 1/2	1 1/8	5.18	A	2042A23	23/32	3.14
24	8.200	7.661	2042B24	B	3/4	2 3/8	3 1/2	1 1/8	5.58	A	2042A24	23/32	3.22
25	8.520	7.979	2042B25	B	3/4	2 3/8	3 1/2	1 1/8	5.96	A	2042A25	23/32	3.50
26	8.840	8.296	2042B26	B	3/4	2 3/8	3 1/2	1 1/8	6.22	A	2042A26	23/32	3.74
28	9.480	8.931	2042B28	B	3/4	2 3/8	3 1/2	1 1/8	6.78	A	2042A27	23/32	4.76
30	10.110	9.567	2042B30	B	3/4	2 3/8	3 1/2	1 1/8	7.56	A	2042A28	23/32	5.08



TYPE B

★ Has recessed groove in hub for chain clearance.

Maximum bores shown will accommodate standard keyseat and setscrew over keyseat.
Slightly larger bores are possible with no keyseat, shallow keyseat, or setscrew at angle to keyseat.

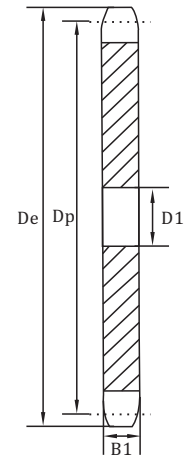
Double Pitch Sprockets American Standard Series

No.2050
No.2052

◇ Pitch 1- 1/4" ◇ Tooth width B1 0.343"

Conveyor or Drive Series-Standard Roller Double Pitch-2050/C2050

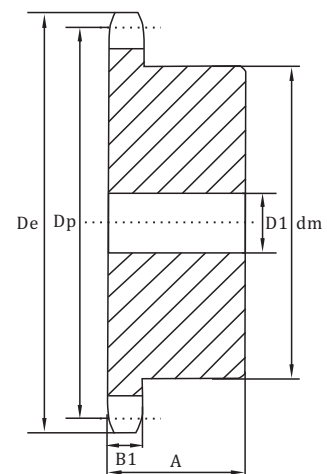
No. Teeth Double Duty	De	Dp	Number	Type	D1		Dm	A	Wt. Lbs. (Approx.)	Type	Number	D1	Wt. Lbs. (Approx.)
					Min	Max.							
11	2.500	2.315	2050B11	B	5/8	13/16	1 3/4★	1	.62				
12	2.710	2.500	2050B12	B	5/8	1	1 63/64	1	.80				
13	2.910	2.690	2050B13	B	5/8	1 7/32	1 23/64	1	.82				
14	3.110	2.881	2050B14	B	5/8	1 9/32	1 15/16	1	1.00				
15	3.320	3.073	2050B15	B	5/8	1 11/32	2 5/32	1	1.22				
16	3.520	3.266	2050B16	B	5/8	1 13/32	2 23/64	1	1.44				
17	3.720	3.460	2050B17	B	5/8	1 3/4	2 9/16	1	1.68				
18	3.920	3.655	2050B18	B	5/8	1 25/32	2 25/32	1	1.94				
19	4.120	3.850	2050B19	B	5/8	1 31/32	2 63/64	1	2.24				
20	4.320	4.045	2050B20	B	3/4	2	3	1	2.30				
21	4.520	4.241	2050B21	B	3/4	2	3	1	2.40				
22	4.720	4.437	2050B22	B	3/4	2	3	1	2.54				
23	4.920	4.633	2050B23	B	3/4	2	3	1	2.66				
24	5.120	4.830	2050B24	B	3/4	2	3 1/4	1 1/4	3.30	A	2050A24	23/32	1.58
25	5.320	5.026	2050B25	B	3/4	2	3	1 1/4	3.42	A	2050A25	23/32	1.68
26	5.520	5.223	2050B26	B	3/4	2	3	1 1/4	3.62	A	2050A26	23/32	1.88
28	5.920	5.617	2050B28	B	3/4	2	3	1 1/4	3.78	A	2050A28	23/32	2.22
30	6.320	6.012	2050B30	B	3/4	2 1/4	3 1/4	1 1/4	4.58	A	2050A30	23/32	2.54



TYPE A

Conveyor Series-Carrier Roller Double Pitch-2052/C2052

No. Teeth Double Duty	De	Dp	Number	Type	D1		Dm	A	Wt. Lbs. (Approx.)	Type	Number	D1	Wt. Lbs. (Approx.)
					Min	Max.							
8	3.770	3.266	2052B8	B	5/8	1 19/32	2 23/64	1	1.38				
9	4.190	3.655	2052B9	B	5/8	1 25/32	2 25/32	1	1.92				
10	4.600	4.045	2052B10	B	5/8	2	3	1	2.30				
11	5.010	4.437	2052B11	B	5/8	2	3	1	2.54				
12	5.420	4.830	2052B12	B	3/4	2	3	1 1/4	3.20	A	2052A12	23/32	1.58
13	5.820	5.223	2052B13	B	3/4	2	3	1 1/4	3.48	A	2052A13	23/32	1.82
14	6.230	5.617	2052B14	B	3/4	2	3	1 1/4	3.88	A	2052A14	23/32	2.28
15	6.630	6.012	2052B15	B	3/4	2 1/4	3 1/4	1 1/4	4.46	A	2052A15	23/32	2.46
16	7.030	6.407	2052B16	B	3/4	2 1/4	3 1/4	1 1/4	4.80	A	2052A16	23/32	2.88
17	7.440	6.803	2052B17	B	3/4	2 1/4	3 1/4	1 1/4	3.34	A	2052A17	23/32	3.28
18	7.840	7.198	2052B18	B	3/4	2 1/4	3 1/4	1 1/4	3.64	A	2052A18	23/32	3.64
19	8.240	7.595	2052B19	B	3/4	2 1/4	3 1/4	1 1/4	6.04	A	2052A19	23/32	4.12
20	8.640	7.991	2052B20	B	3/4	2 1/4	3 1/4	1 1/4	6.48	A	2052A20	23/32	4.72
21	9.040	8.387	2052B21	B	3/4	2 1/4	3 1/4	1 1/4	7.00	A	2052A21	23/32	5.08
22	9.440	8.783	2052B22	B	3/4	2 1/4	3 1/4	1 1/4	7.30	A	2052A22	23/32	5.20
23	9.850	9.180	2052B23	B	1	2 3/4	3 3/4	1 1/4	8.66	A	2052A23	15/16	5.84
24	10.250	9.577	2052B24	B	15/16	2 3/4	3 3/4	1 1/4	9.32	A	2052A24	15/16	6.70
25	10.650	9.973	2052B25	B	15/16	2 3/4	3 3/4	1 1/4	10.30	A	2052A25	15/16	7.54
26	11.050	10.370	2052B26	B	15/16	2 3/4	3 3/4	1 1/4	11.00	A	2052A26	15/16	8.24
28	11.840	11.164	2052B28	B	15/16	2 3/4	3 3/4	1 1/4	11.70	A	2052A28	15/16	8.70
30	12.640	11.958	2052B30	B	15/16	2 3/4	3 3/4	1 1/4	12.90	A	2052A30	15/16	9.92



TYPE B

★ Has recessed groove in hub for chain clearance.

Maximum bores shown will accommodate standard keyseat and setscrew over keyseat.

Slightly larger bores are possible with no keyseat, shallow keyseat, or setscrew at angle to keyseat.

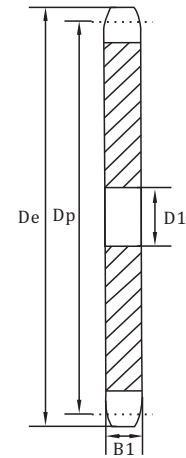
Double Pitch Sprockets American Standard Series

No.2060
No.2062

◇ Pitch 1-1/2" ◇ Tooth width B1 0.459"

Conveyor or Drive Series-Standard Roller Double Pitch-2060/C2060

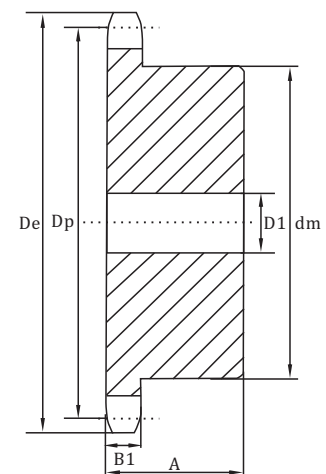
No. Teeth Double Duty	De	Dp	Number	Type	D1		Dm	A	Wt. Lbs. (Approx.)	Type	Number	D1	Wt. Lbs. (Approx.)
					Min	Max.							
11	3.000	2.773	2060B11	B	3/4	1	2 1/16★	1 1/4	1.14				
12	3.250	3.000	2060B12	B	3/4	1 1/4	2 3/8★	1 1/4	1.46				
13	3.490	3.228	2060B13	B	3/4	1 5/16	2 5/64	1 1/4	1.52				
14	3.740	3.457	2060B14	B	3/4	1 9/16	2 21/64	1 1/4	1.86				
15	3.980	3.688	2060B15	B	3/4	1 3/4	2 19/32	1 1/4	2.24				
16	4.220	3.920	2060B16	B	3/4	1 7/8	2 27/32	1 1/4	2.64				
17	4.460	4.152	2060B17	B	3/4	2 3/32	2 3/32	1 1/4	3.08				
18	4.700	4.386	2060B18	B	3/4	2 9/32	2 11/32	1 1/4	3.56				
19	4.940	4.620	2060B19	B	3/4	2 13/32	3 1/2	1 1/4	3.94				
20	5.190	4.854	2060B20	B	3/4	2 9/16	3 7/8	1 1/4	4.50				
21	5.430	5.089	2060B21	B	3/4	2 3/4	4	1 1/4	5.02				
22	5.670	5.324	2060B22	B	3/4	2 3/4	4	1 1/4	5.26				
23	5.910	5.560	2060B23	B	3/4	2 3/4	4	1 1/4	5.54				
24	6.150	5.796	2060B24	B	3/4	2 3/4	4	1 1/4	5.90	A	2060A24	23/32	3.02
25	6.390	6.032	2060B25	B	3/4	2 3/4	4	1 1/4	6.08	A	2060A25	23/32	3.36
26	6.630	6.268	2060B26	B	3/4	2 3/4	4	1 1/4	6.36	A	2060A26	23/32	3.58
28	7.110	6.741	2060B28	B	3/4	2 3/4	4	1 1/4	7.02	A	2060A28	23/32	4.12
30	7.590	7.215	2060B30	B	3/4	2 3/4	4	1 1/4	7.54	A	2060A30	23/32	4.88



TYPE A

Conveyor Series-Carrier Roller Double Pitch-2062/C2062

No. Teeth Double Duty	De	Dp	Number	Type	D1		Dm	A	Wt. Lbs. (Approx.)	Type	Number	D1	Wt. Lbs. (Approx.)
					Min	Max.							
8	4.520	3.920	2062B8	B	3/4	1 27/32	2 27/32	1 1/4	2.60				
9	5.020	4.386	2062B9	B	3/4	2 9/32	3 11/32	1 1/4	3.48				
10	5.520	4.854	2062B10	B	3/4	2 9/16	3 53/64	1 1/4	4.54				
11	6.010	5.324	2062B11	B	3/4	2 3/4	4	1 1/4	5.20				
12	6.500	5.796	2062B12	B	3/4	2 3/4	4	1 1/4	5.70	A	2062A12	23/32	2.98
13	6.990	6.268	2062B13	B	3/4	2 3/4	4	1 1/4	6.28	A	2062A13	23/32	3.60
14	7.470	6.741	2062B14	B	3/4	2 3/4	4	1 1/4	6.82	A	2062A14	23/32	4.02
15	7.960	7.215	2062B15	B	3/4	2 3/4	4	1 1/4	7.48	A	2062A15	23/32	4.76
16	8.440	7.689	2062B16	B	3/4	2 3/4	4	1 1/4	8.18	A	2062A16	23/32	5.70
17	8.920	8.163	2062B17	B	1	2 3/4	4	1 1/4	8.82	A	2062A17	15/16	6.16
18	9.410	8.638	2062B18	B	1	2 3/4	4	1 1/4	9.36	A	2062A18	15/16	6.96
19	9.890	9.113	2062B19	B	1	2 3/4	4 1/4	1 1/4	11.10	A	2062A19	15/16	8.00
20	10.370	9.589	2062B20	B	15/16	2 3/4	4 1/4	1 1/4	11.66	A	2062A20	15/16	8.46
21	10.850	10.064	2062B21	B	15/16	2 3/4	4 1/4	1 1/4	13.24	A	2062A21	15/16	8.93
22	11.330	10.540	2062B22	B	15/16	2 3/4	4 1/4	1 1/4	13.78	A	2062A22	15/16	10.74
23	11.810	11.016	2062B23	B	15/16	2 3/4	4 1/4	1 1/4	14.90	A	2062A23	15/16	11.64
24	12.290	11.492	2062B24	B	15/16	2 3/4	4 1/4	1 1/4	15.66	A	2062A24	15/16	12.64
25	12.770	11.968	2062B25	B	15/16	2 3/4	4 1/4	1 1/4	16.80	A	2062A25	15/16	13.78
26	13.250	12.444	2062B26	B	15/16	2 3/4	4 1/4	1 3/4	20.20	A	2062A26	15/16	15.00
28	14.210	13.397	2062B28	B	1 1/4	2 3/4	4 1/4	1 3/4	21.86	A	2062A28	1 1/4	17.32
30	15.170	14.350	2062B30	B	1 1/4	2 3/4	4 1/4	1 3/4	26.00	A	2062A30	1 1/4	19.50



TYPE B

★ Has recessed groove in hub for chain clearance.

Maximum bores shown will accommodate standard keyseat and setscrew over keyseat.
Slightly larger bores are possible with no keyseat, shallow keyseat, or setscrew at angle to keyseat.

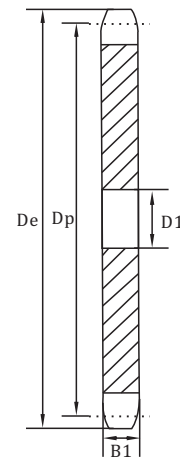
Double Pitch Sprockets American Standard Series

No.2080
No.2082

◇Pitch 2" ◇Tooth width B1 0.575"

Conveyor or Drive Series-Standard Roller Double Pitch-2080/C2080

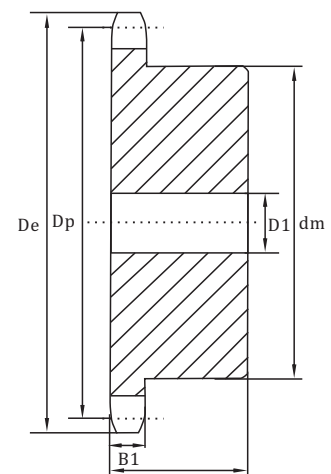
No. Teeth Double Duty	De	Dp	Number	Type	D1		Dm	A	Wt. Lbs. (Approx.)	Type	Number	D1	Wt. Lbs. (Approx.)
					Min	Max.							
11	4.010	3.694	2080B11	B	1	1 1/2	2 13/16★	1 7/8	2.5				
12	4.330	4.000	2080B12	B	1	1 1/16	2 1/8★	1 5/8	3.2				
13	4.660	4.304	2080B13	B	1	1 5/32	2 25/32	1 1/2	3.3				
14	4.980	4.610	2080B14	B	1	2 1/8	3 1/8	1 1/2	4.0				
15	5.300	4.917	2080B15	B	1	2 7/32	3 29/64	1 1/2	4.8				
16	5.630	5.226	2080B16	B	1	2 7/32	3 5/64	1 1/2	5.7				
17	5.950	5.536	2080B17	B	1	2 3/4	4	1 1/2	6.4	A	2080A17	15/16	3.4
18	6.270	5.848	2080B18	B	1	2 3/4	4 1/4	1 1/2	7.4	A	2080A18	15/16	3.8
19	6.590	6.160	2080B19	B	1	2 3/4	4 1/4	1 1/2	7.7	A	2080A19	15/16	4.3
20	6.910	6.472	2080B20	B	1	2 3/4	4 1/4	1 1/2	8.3	A	2080A20	15/16	4.8
21	7.230	6.785	2080B21	B	1	2 3/4	4 1/4	1 3/4	9.4	A	2080A21	15/16	5.3
22	7.560	7.099	2080B22	B	1	2 3/4	4 1/4	1 3/4	10.0	A	2080A22	15/16	5.8
23	7.880	7.413	2080B23	B	1	2 3/4	4 1/4	1 3/4	10.5	A	2080A23	15/16	6.4
24	8.200	7.727	2080B24	B	1	2 3/4	4 1/4	1 3/4	11.1	A	2080A24	15/16	7.1
25	8.520	8.042	2080B25	B	1	2 3/4	4 1/4	1 3/4	12.0	A	2080A25	15/16	7.5
26	8.840	8.357	2080B26	B	1 1/4	2 1/4	4 3/4	2	14.8	A	2080A26	1 1/16	8.3
28	9.480	8.988	2080B28	B	1 1/16	2 1/4	4 3/4	2	16.6	A	2080A28	1 1/16	9.2
30	10.110	9.620	2080B30	B	1 1/16	2 1/4	4 3/4	2	17.8	A	2080A30	1 3/16	10.7



TYPE A

Conveyor Series-Carrier Roller Double Pitch-2082/C2082

No. Teeth Double Duty	De	Dp	Number	Type	D1		Dm	A	Wt. Lbs. (Approx.)	Type	Number	D1	Wt. Lbs. (Approx.)
					Min	Max.							
8	6.030	5.226	2082B8	B	1	2 7/32	3 5/64	1 3/4	6.4				
9	6.700	5.848	2082B9	B	1	2 3/4	4 1/4	1 3/4	8.2				
10	7.360	6.472	2082B10	B	1	2 3/4	4 1/4	1 3/4	9.2				
11	8.010	7.099	2082B11	B	1	2 3/4	4 1/4	1 3/4	10.1	A	2082A11	15/16	5.7
12	8.660	7.727	2082B12	B	1	3 1/4	4 1/4	1 3/4	11.2	A	2082A12	15/16	6.8
13	9.310	8.357	2082B13	B	1 1/4	3 1/4	4 3/4	2	15.0	A	2082A13	15/16	7.7
14	9.960	8.988	2082B14	B	1 1/4	3 1/4	4 3/4	2	15.8	A	2082A14	1 3/16	9.1
15	10.610	9.620	2082B15	B	1 3/16	3 1/4	4 3/4	2	17.8	A	2082A15	1 3/16	10.7
16	11.250	10.252	2082B16	B	1 3/16	3 1/4	4 3/4	2	19.3	A	2082A16	1 3/16	12.4
17	11.900	10.885	2082B17	B	1 3/16	3 1/4	4 3/4	2	21.4	A	2082A17	1 3/16	14.1
18	12.540	11.518	2082B18	B	1 3/16	3 1/4	4 3/4	2	22.9	A	2082A18	1 3/16	15.4
19	13.190	12.151	2082B19	B	1 3/16	3 1/4	4 3/4	2	24.4	A	2082A19	1 3/16	18.0
20	13.830	12.785	2082B20	B	1 3/16	3 1/4	4 3/4	2	26.7	A	2082A20	1 1/4	19.2
21	14.470	13.419	2082B21	B	1 1/4	3 1/4	4 3/4	2	28.4	A	2082A21	1 1/4	20.8
22	15.110	14.053	2082B22	B	1 1/4	3 1/4	4 3/4	2	39.6	A	2082A22	1 1/4	23.7
23	15.750	14.688	2082B23	B	1 1/4	3 1/4	4 3/4	2	32.2	A	2082A23	1 1/4	24.9
24	16.390	15.323	2082B24	B	1 1/4	3 1/4	4 3/4	2	34.9	A	2082A24	1 1/4	27.6
25	17.030	15.958	2082B25	B	1 1/4	3 1/4	4 3/4	2	37.8	A	2082A25	1 1/4	30.2
26	17.670	16.593	2082B26	B	1 1/4	3 1/4	5 1/4	2	41.5	A	2082A26	1 1/4	32.8
28	18.950	17.863	2082B28	B	1 1/4	3 1/2	5 1/4	2	47.7	A	2082A28	1 1/4	38.6
30	20.230	19.134	2082B30	B	1 1/4	3 1/2	5 1/4	2	54.5	A	2082A30	1 1/4	43.8



TYPE B

★ Has recessed groove in hub for chain clearance.

Maximum bores shown will accommodate standard keyseat and setscrew over keyseat.

Slightly larger bores are possible with no keyseat, shallow keyseat, or setscrew at angle to keyseat.