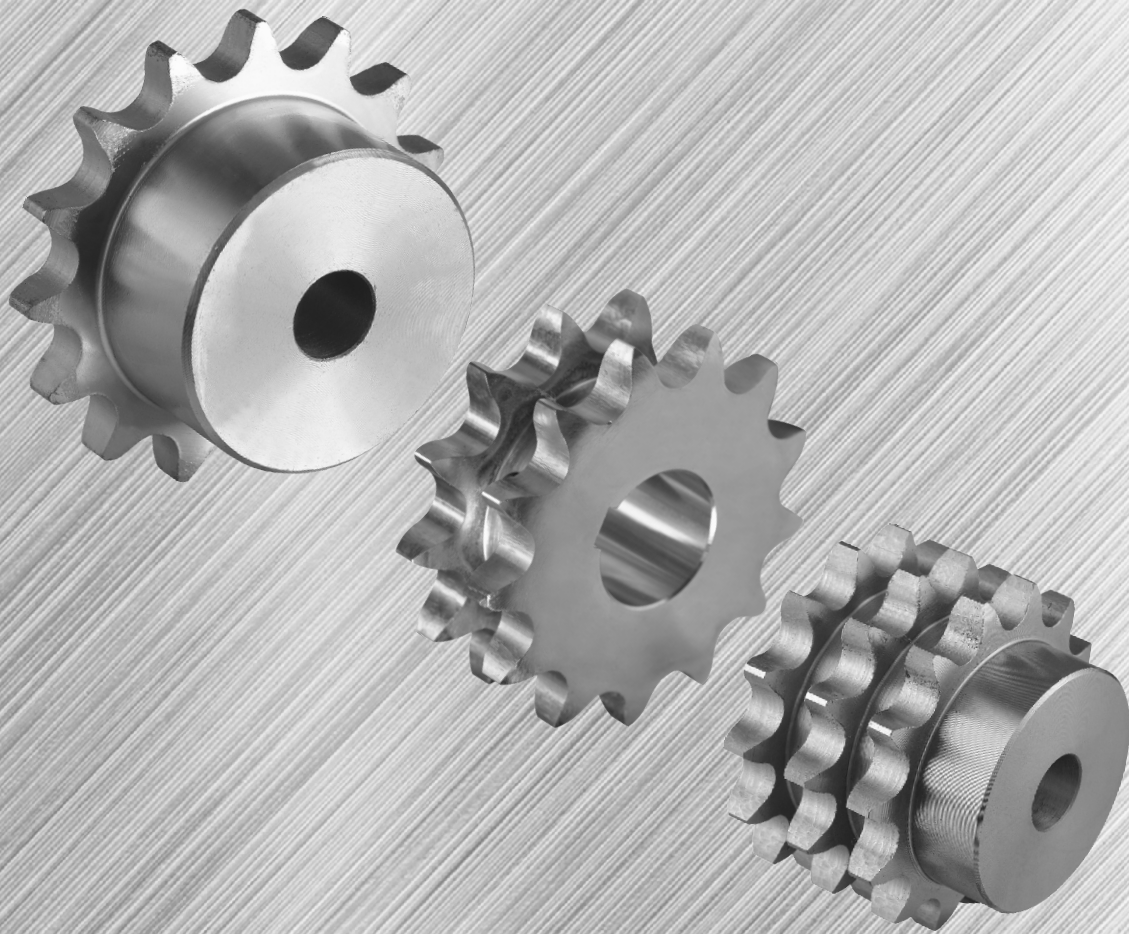


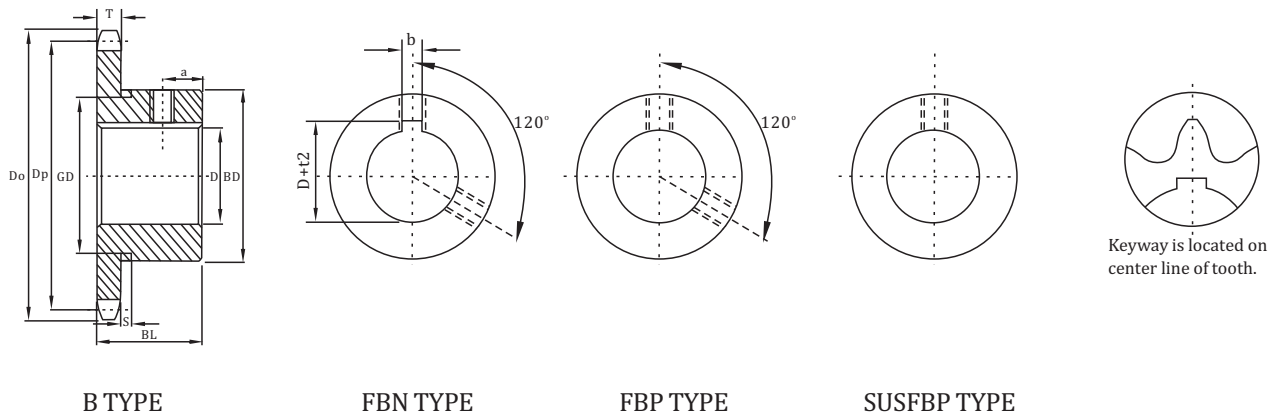
Sprockets

Asian standard series



Finished Bore Sprockets Asian Standard Series

SUSFBP 11B



Material:SUS304

D_o	D_p	BD	BL	a	Wt g	From	Type	Teeth	ΦD
16.2	14.475	9.4	10.5	4	5.9	B-I	SUSFBP 11B	12	5
19.9	18.020	13	10.5	4	11.5			15	5 6
21.1	19.204	14	10.5	4	13.5			16	5 6 8
23.5	21.575	16	10.5	4	17.7			18	5 6 8
25.9	23.949	19	10.5	4	23.3			20	8 10
30.7	28.703	19	10.5	4	25.7			24	8 10
35.5	33.462	19	10.5	4	28.7			28	8 10
37.9	35.842	19	10.5	4	29.7			30	8 10
42.7	40.604	19	10.5	4	37.9			34	8 10
45.1	42.986	19	10.5	4	40.7			36	8 10
49.8	47.751	19	10.5	4	46.5			40	8 10
59.4	57.283	19	10.5	4	60.5			48	8 10

SUSFBP 11B

SPROCKETS	mm
Tooth width (T)	1.6
CHAIN	mm
Pitch (P)	3.7465
Internal width	1.83
Roller Φ (Dr)	2.285

Material:C45

D_o	D_p	BD	BL	a	Wt g	Type	Teeth	ΦD
19.0	16.90	11	10	4	9	FBP 15B	11	5
20.5	18.40	12	10	4	10		12	5 6
22.0	19.90	14	10	4	14		13	5 6 8
23.5	21.40	15	12	5	17		14	8
25.0	22.91	17	12	5	22		15	8
26.5	24.41	18	12	5	23		16	10
28.0	25.92	20	14	6	32		17	10
29.5	27.43	22	14	6	40		18	10
32.5	30.44	24	14	6	49		20	10
39.0	36.49	30	16	7	88		24	10 12 15
42.0	39.51	33	16	7	104	FBN 15B	26	12 15 16
45.0	42.54	37	16	7	131		28	12 15 16
48.0	45.56	39	16	7	147		30	12 15 16
52.5	50.10	40	18	8	178		33	12 15 16
55.5	53.13	40	18	8	182		35	12 15 16

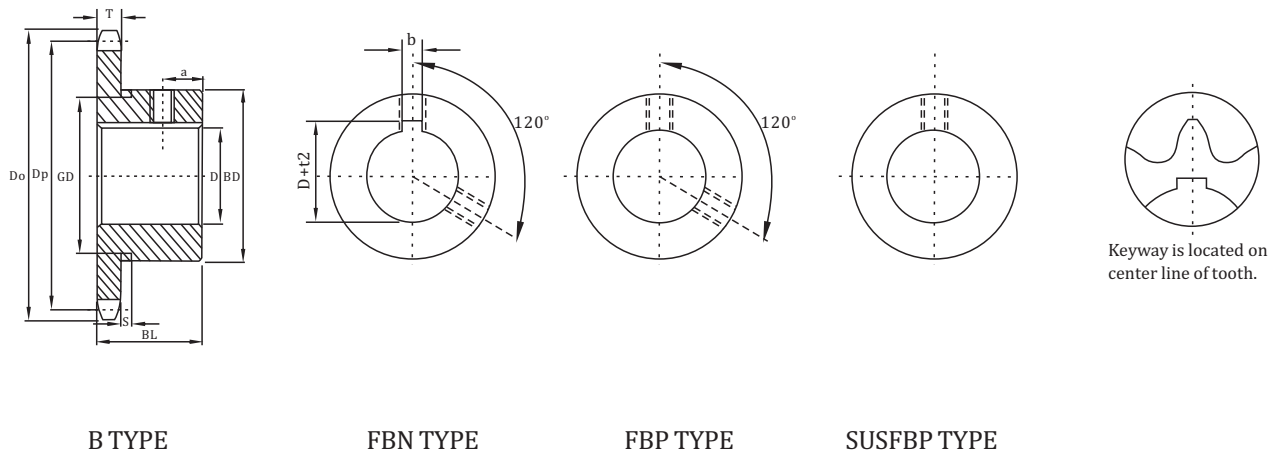
FBP 15B/FBN 15B

SPROCKETS	mm
Tooth width (T)	2.0
CHAIN	mm
Pitch (P)	4.7625
Internal width	2.38
Roller Φ (Dr)	2.48

Power Transmission Professional

Finished Bore Sprockets Asian Standard Series

FBN 25B



B TYPE

FBN TYPE

FBP TYPE

SUSFBP TYPE

Material:C45

D_o	D_p	BD	BL	a	Wt g	Type	Teeth	ΦD^{H7}
36	32.55	25	15	6	60	FBN 25B	16	10 12
38	34.56	25	15	6	70		17	10 12
40	36.57	25	15	6	70		18	10 12
42	38.58	28	15	6	80		19	10 12
44	40.59	28	15	6	80		20	10 12
46	42.61	28	15	6	90		21	10 12
48	44.62	30	15	6	100		22	12 15
50	46.63	30	15	6	110		23	12 15
52	48.65	30	15	6	120		24	12 15
54	50.66	35	15	6	140		25	12 15 16
56	52.68	35	15	6	140		26	12 15 16
58	54.70	35	15	6	150		27	12 15 16
60	56.71	35	15	6	150		28	12 15 16
64	60.75	35	15	6	160		30	12 15 16
68	64.78	40	20	8	200		32	15 16 18 20
72	68.82	40	20	8	210		34	15 16 18 20
74	70.84	40	20	8	210		35	15 16 18 20
76	72.86	40	20	8	220		36	15 16 18 20
80	76.90	40	20	8	260		38	15 16 18 20
84	80.93	40	20	8	270		40	15 16 18 20

SPROCKETS mm
Tooth width (T) 2.8

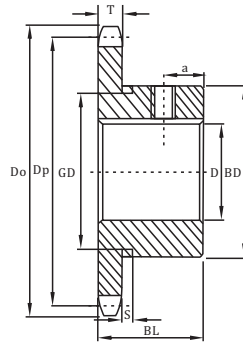
CHAIN mm
Pitch (P) 6.35
Internal width 3.18
Roller Φ (Dr) 3.3

Finished Bore Sprockets Asian Standard Series

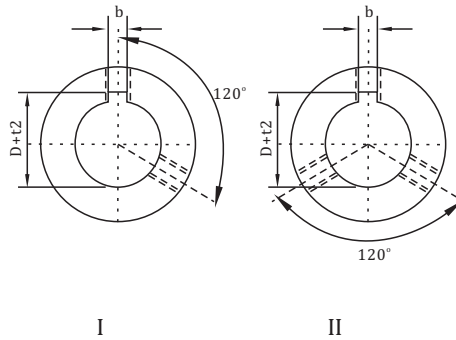
FBN 35B

SPROCKETS		mm
Tooth width (T)		4.3
CHAIN		mm
Pitch (P)		9.525
Internal width		4.78
Roller Φ (Dr)		5.08

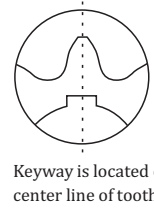
Teeth	S	GD
9	4.4	17
10		20
11		23
12		26
13		29



B TYPE



FBN TYPE



Material: C45 ; Hardened Teeth

Do	Dp	BD	BL	a	Wt kg	Type	Teeth	ΦD^{H7}
32	27.85	★21.5	20	6	0.06	FBN 35B	9	10
34	30.82	★24.5	20	6	0.08		10	12
38	33.81	★27	20	6	0.09		11	10 12 14
41	36.80	★30.5	20	6	0.12		12	10 12 14 15 16 17
44	39.80	★32	20	6	0.12		13	10 12 14 15 16 17 18
47	42.81	32	20	6	0.12		14	10 12 14 15 16 17 18 19 20
51	45.81	35	20	6	0.16		15	10 12 14 15 16 17 18 19 20
54	48.82	37	20	6	0.19		16	10 12 14 15 16 17 18 19 20 22 24 25
57	51.84	41	20	6	0.22		17	12 14 15 16 17 18 19 20 22 24 25
60	54.85	44	20	6	0.25		18	12 14 15 16 17 18 19 20 22 24 25
63	57.87	47	20	6	0.28		19	12 14 15 16 17 18 19 20 22 24 25 28
66	60.89	50	20	6	0.32		20	12 14 15 16 17 18 19 20 22 24 25 28 30
69	63.91	53	20	6	0.36		21	12 14 15 16 17 18 19 20 22 24 25 28 30 32
72	66.93	56	20	6	0.37		22	12 14 15 16 17 18 19 20 22 24 25 28 30 32
75	69.95	60	20	6	0.38		23	12 14 15 16 17 18 19 20 22 24 25 28 30 32
78	72.97	53	22	8	0.43		24	12 14 15 16 17 18 19 20 22 24 25 28 30 32
81	76.00	53	22	8	0.44		25	15 16 17 18 19 20 22 24 25 28 30 32
84	79.02	53	22	8	0.45		26	15 16 17 18 19 20 22 24 25 28 30 32
87	82.05	53	22	8	0.46		27	15 16 17 18 19 20 22 24 25 28 30 32
90	85.07	53	22	8	0.48		28	15 16 17 18 19 20 22 24 25 28 30 32
93	88.10	53	22	8	0.49		29	
96	91.12	53	22	8	0.51		30	15 16 17 18 19 20 22 24 25 28 30 32
99	94.15	53	22	8	0.53		31	
102	97.18	53	22	8	0.54		32	15 16 17 18 19 20 22 24 25 28 30 32
105	100.20	53	22	8	0.56		33	
109	103.23	53	22	8	0.57		34	15 16 17 18 19 20 22 24 25 28 30 32
112	106.26	53	22	8	0.59		35	15 16 17 18 19 20 22 24 25 28 30 32
115	109.29	53	22	8	0.61		36	15 16 17 18 19 20 22 24 25 28 30 32
118	112.31	63	25	10	0.80		37	
121	115.34	63	25	10	0.82		38	20 22 24 25 28 30 32 35 38
124	118.37	63	25	10	0.84		39	
127	121.40	63	25	10	0.85		40	20 22 24 25 28 30 32 35 38

★ Has recessed groove in hub for chain clearance

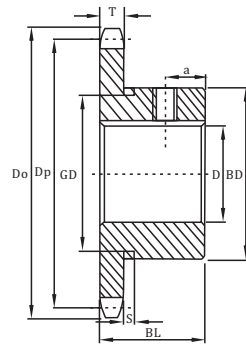
□ Set Screw TYPE II

Finished Bore Sprockets Asian Standard Series

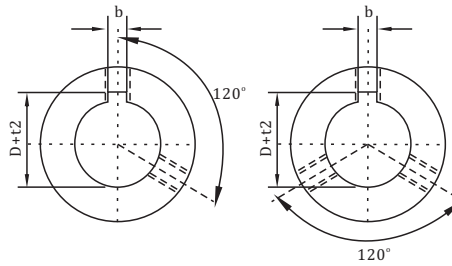
FBK 35B

SPROCKETS	mm
Tooth width (T)	4.3
CHAIN	mm
Pitch (P)	9.525
Internal width	4.78
Roller Φ (Dr)	5.08

Teeth	S	GD
9	4.4	17
10		20
11		23
12		26
13		29



B TYPE



I

II

FBN TYPE

Keyway is located on center line of tooth.

Material: C45 ; Hardened Teeth

Do	Dp	BD	BL	a	Wt kg	Type	Teeth	ΦD^{H7}
32	27.85	★ 21.5	20	6	0.06	FBK 35B	9	
34	30.82	★ 24.5	20	6	0.08		10 12	
38	33.81	★ 27	20	6	0.09		11 10 14	
41	36.80	★ 30.5	20	6	0.12		12 10 12 14 15 17	
44	39.80	★ 32	20	6	0.12		13 10 12 15 17	
47	42.81	32	20	6	0.12		14 12 14 15 17 20	
51	45.81	35	20	6	0.16		15 12 14 15 16 17 18 19 20	
54	48.82	37	20	6	0.19		16 12 14 15 17 18 20 22 25	
57	51.84	41	20	6	0.22		17 12 15 17 20 22 25	
60	54.85	44	20	6	0.25		18 12 14 15 20 25	
63	57.87	47	20	6	0.28		19 15 20 25	
66	60.89	50	20	6	0.32		20 12 15 16 17 18 20 22 25 28 30	
69	63.91	53	20	6	0.36		21 12 14 15 20 25	
72	66.93	56	20	6	0.37		22 15 20 22 25	
75	69.95	60	20	6	0.38		23 15 20	
78	72.97	53	22	8	0.43		24 12 15 17 20 25 30	
81	76.00	53	22	8	0.44		25 17 20	
84	79.02	53	22	8	0.45		26 20 22 25	
87	82.05	53	22	8	0.46		27	
90	85.07	53	22	8	0.48		28	
93	88.10	53	22	8	0.49		29	
96	91.12	53	22	8	0.51		30 20 25	
99	94.15	53	22	8	0.53		31	
102	97.18	53	22	8	0.54		32 17	
105	100.20	53	22	8	0.56		33	
109	103.23	53	22	8	0.57		34	
112	106.26	53	22	8	0.59		35 20 25	
115	109.29	53	22	8	0.61		36 20	
118	112.31	63	25	10	0.80		37	
121	115.34	63	25	10	0.82		38	
124	118.37	63	25	10	0.84		39	
127	121.40	63	25	10	0.85		40 20 25	

★ Has recessed groove in hub for chain clearance

□ Set Screw TYPE II

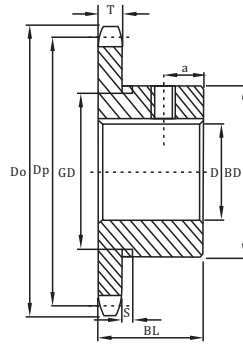
Finished Bore Sprockets Asian Standard Series

FBN 40B

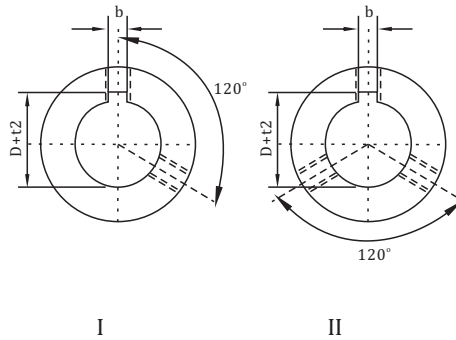
SPROCKETS mm
Tooth width (T) 7.2

CHAIN mm
Pitch (P) 12.7
Internal width 7.95
Roller Φ (Dr) 7.95

Teeth	S	GD
9	5.2	23
10		27
11		31
12		35



B TYPE



FBN TYPE

Material: C45 ; Hardened Teeth

Do	Dp	BD	BL	a	Wt kg	Type	Teeth	ΦD^{H7}
42	37.13	★28	22	5	0.11	FBN 40B	9	10 12 14 15
46	41.10	★32	22	5	0.14		10	10 12 14 15 16 17 18
51	45.08	★36	22	5	0.19		11	10 12 14 15 16 17 18 19 20
55	49.07	★40	22	5	0.22		12	10 12 14 15 16 17 18 19 20 22
59	53.07	37	22	6	0.23		13	12 14 15 16 17 18 19 20 22 24 25
63	57.07	42	22	6	0.28		14	12 14 15 16 17 18 19 20 22 24 25 28
67	61.08	46	22	6	0.34		15	12 14 15 16 17 18 19 20 22 24 25 28 30
71	65.10	50	22	6	0.40		16	14 15 16 17 18 19 20 22 24 25 28 30 32
76	69.12	54	22	6	0.46		17	14 15 16 17 18 19 20 22 24 25 28 30 32 35
80	73.14	57	22	6	0.51		18	14 15 16 17 18 19 20 22 24 25 28 30 32 35 40
84	77.16	62	22	6	0.59		19	14 15 16 17 18 19 20 22 24 25 28 30 32 35 38 40
88	81.18	67	25	7	0.76		20	14 15 16 17 18 19 20 22 24 25 28 30 32 35 38 40 42 45
92	85.21	71	25	7	0.85		21	14 15 16 17 18 19 20 22 24 25 28 30 32 35 38 40 42 45
96	89.24	75	25	7	0.95		22	14 15 16 17 18 19 20 22 24 25 28 30 32 35 38 40 42 45
100	93.27	77	25	7	1.00		23	14 15 16 17 18 19 20 22 24 25 28 30 32 35 38 40 42 45
104	97.30	63	25	7	0.84		24	14 15 16 17 18 19 20 22 24 25 28 30 32 35 38 40 42
108	101.33	63	25	7	0.88		25	14 15 16 17 18 19 20 22 24 25 28 30 32 35 38 40 42
112	105.36	63	25	7	0.92		26	14 15 16 17 18 19 20 22 24 25 28 30 32 35 38 40 42
116	109.40	63	25	7	0.96		27	14 15 16 17 18 19 20 22 24 25 28 30 32 35 38 40 42
120	113.43	63	25	7	1.00		28	14 15 16 17 18 19 20 22 24 25 28 30 32 35 38 40 42
124	117.46	63	25	7	1.00		29	25
128	121.50	63	25	7	1.10		30	14 15 16 17 18 19 20 22 24 25 28 30 32 35 38 40 42
133	125.53	68	28	10	1.20		31	
137	129.57	68	28	10	1.30		32	20 22 24 25 28 30 32 35 40
141	133.61	68	28	10	1.30		33	
145	137.64	68	28	10	1.30		34	20 22 24 25 28 30 32 35 40
149	141.68	68	28	10	1.40		35	20 22 24 25 28 30 32 35 40
153	145.72	68	28	10	1.50		36	20 22 24 25 28 30 32 35 40
157	149.75	68	28	10	1.55		37	35
161	153.79	68	28	10	1.60		38	24 25 28 30 32 35 40
165	157.83	68	28	10	1.65		39	
169	161.87	68	28	10	1.70		40	25 28 30 32 35 40

★ Has recessed groove in hub for chain clearance

□ Set Screw TYPE II

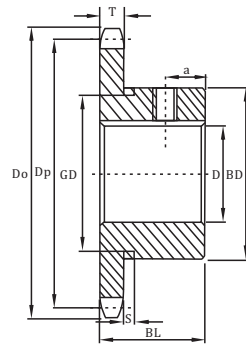
Finished Bore Sprockets Asian Standard Series

FBK 40B

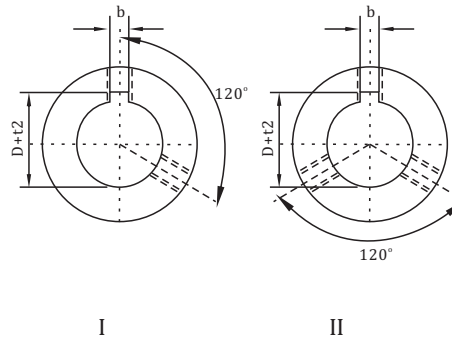
SPROCKETS mm
Tooth width (T) 7.2

CHAIN mm
Pitch (P) 12.7
Internal width 7.95
Roller Φ (Dr) 7.95

Teeth	S	GD
9	5.2	23
10		27
11		31
12		35



B TYPE



I

II

FBN TYPE

Keyway is located on center line of tooth.

Material: C45 ; Hardened Teeth

Do	Dp	BD	BL	a	Wt kg	Type	Teeth	ΦD^{H7}
42	37.13	★28	22	5	0.11	FBK 40B	9	12 15
46	41.10	★32	22	5	0.14		10	12 15 16
51	45.08	★36	22	5	0.19		11	12 15 17 20
55	49.07	★40	22	5	0.22		12	12 15 17 18 19 20 22
59	53.07	37	22	6	0.23		13	15 17 18 19 20 22 24 25
63	57.07	42	22	6	0.28		14	14 15 17 18 19 20 22 24 25 28
67	61.08	46	22	6	0.34		15	14 15 17 18 19 20 22 24 25 28 30
71	65.10	50	22	6	0.40		16	15 17 18 19 20 22 24 25 28 30 32
76	69.12	54	22	6	0.46		17	18 19 20 22 24 25 28 30 32
80	73.14	57	22	6	0.51		18	15 18 19 20 22 24 25 28 30 32 35
84	77.16	62	22	6	0.59		19	15 18 20 22 24 25 30
88	81.18	67	25	7	0.76		20	15 17 18 19 20 22 24 25 28 30 35 40
92	85.21	71	25	7	0.85		21	18 19 20 22 25 28 30 35 40
96	89.24	75	25	7	0.95		22	20 22 24 25 28 30 35
100	93.27	77	25	7	1.00		23	20 25 28 30 35
104	97.30	63	25	7	0.84		24	20 22 24 25 28 30 35
108	101.33	63	25	7	0.88		25	18 20 22 25 30 35
112	105.36	63	25	7	0.92		26	18 20 24 25 28 30 35
116	109.40	63	25	7	0.96		27	20 22 25 30 35
120	113.43	63	25	7	1.00		28	22 24 25 30 35 40
124	117.46	63	25	7	1.00		29	25
128	121.50	63	25	7	1.10		30	20 22 24 25 28 30 32 35 40
133	125.53	68	28	10	1.20		31	
137	129.57	68	28	10	1.30		32	25 30 35
141	133.61	68	28	10	1.30		33	
145	137.64	68	28	10	1.30		34	
149	141.68	68	28	10	1.40		35	25 30 35 40
153	145.72	68	28	10	1.50		36	20 25 30 35
157	149.75	68	28	10	1.55		37	35
161	153.79	68	28	10	1.60		38	24 28
165	157.83	68	28	10	1.65		39	
169	161.87	68	28	10	1.70		40	30 35 40

★ Has recessed groove in hub for chain clearance

□ Set Screw TYPE II

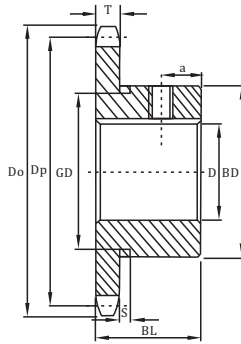
Finished Bore Sprockets Asian Standard Series

FBN 50B

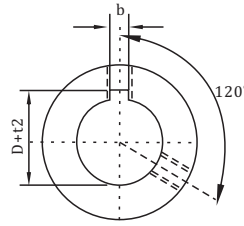
SPROCKETS mm
Tooth width (T) 8.7

CHAIN mm
Pitch (P) 15.875
Internal width 9.53
Roller Φ (Dr) 10.16

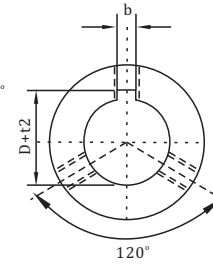
Teeth	S	GD
9	6.4	29
10		34
11		39
12		44
13		49



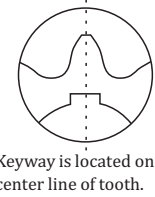
B TYPE



I



II



Keyway is located on center line of tooth.

FBN TYPE

Material: C45 ; Hardened Teeth

Do	Dp	BD	BL	a	Wt kg	Type	Teeth	ΦD^{H7}
53	46.41	★34	25	5	0.20	FBN 50B	9	16 17 18 19
58	51.37	★40	25	5	0.27		10	15 16 17 18 19 20 22 24 25
64	56.35	★45.5	25	5	0.33		11	15 16 17 18 19 20 22 24 25
69	61.34	★50	25	5	0.41		12	15 16 17 18 19 20 22 24 25 28 30 32
74	66.34	★51	25	5	0.46		13	14 15 16 17 18 19 20 22 24 25 28 30 32
79	71.34	52	25	7	0.52		14	14 15 16 17 18 19 20 22 24 25 28 30 32 35
84	76.35	57	25	7	0.62		15	14 15 16 17 18 19 20 22 24 25 28 30 32 35 38
89	81.37	62	25	7	0.72		16	14 15 16 17 18 19 20 22 24 25 28 30 32 35 38 40
94	86.39	67	25	7	0.83		17	14 15 16 17 18 19 20 22 24 25 28 30 32 35 38 40 42 45
100	91.42	72	28	8	1.00		18	14 15 16 17 18 19 20 22 24 25 28 30 32 35 38 40 42 45
105	96.45	73	28	8	1.10		19	14 15 16 17 18 19 20 22 24 25 28 30 32 35 38 40 42 45
110	101.48	73	28	8	1.20		20	14 15 16 17 18 19 20 22 24 25 28 30 32 35 38 40 42 45 50
115	106.51	73	28	8	1.20		21	17 18 19 20 22 24 25 28 30 32 35 38 40 42 45
120	111.55	73	28	8	1.30		22	17 18 19 20 22 24 25 28 30 32 35 38 40 42 45
125	116.58	73	28	8	1.30		23	17 18 19 20 22 24 25 28 30 32 35 38 40 42 45
130	121.62	73	28	8	1.40		24	17 18 19 20 22 24 25 28 30 32 35 38 40 42 45
135	126.66	73	28	8	1.50		25	17 18 19 20 22 24 25 28 30 32 35 38 40 42 45
140	131.70	73	28	8	1.50		26	24 25 28 30 32 35 38 40 45
145	136.74	73	28	8	1.50		27	24 25 28 30 32 35 38 40 45
150	141.79	73	28	8	1.60		28	24 25 28 30 32 35 38 40 42
155	146.83	73	28	8	1.70		29	24 30
161	151.87	73	28	8	1.80		30	22 25 28 30 32 35 38 40 45
166	156.92	73	28	8	1.85		31	
171	161.96	73	28	8	1.90		32	25 28 30 32 35 38 40 45
176	167.01	73	28	8	2.00		33	35
181	172.05	73	28	8	2.10		34	25 28 30 32 35 38 40 45
186	177.10	73	28	8	2.20		35	25 28 30 32 35 38 40 45

★ Has recessed groove in hub for chain clearance

□ Set Screw TYPE II

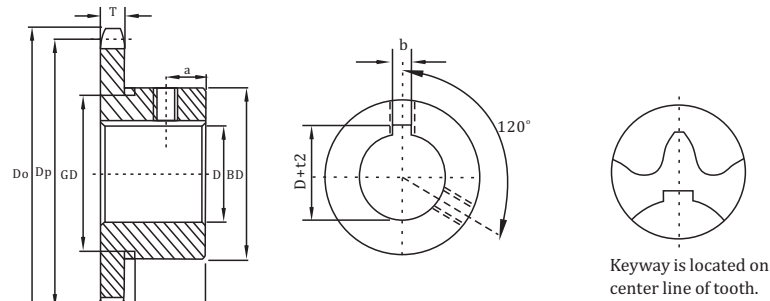
Finished Bore Sprockets Asian Standard Series

FBK 50B

SPROCKETS mm
Tooth width (T) 8.7

CHAIN mm
Pitch (P) 15.875
Internal width 9.53
Roller Φ (Dr) 10.16

Teeth	S	GD
9	6.4	29
10		34
11		39
12		44
13		49



B TYPE

Material: C45 ; Hardened Teeth

Do	Dp	BD	BL	a	Wt kg	Type	Teeth	ΦD^{H7}
53	46.41	★34	25	5	0.20	FBK 50B	9	17
58	51.37	★40	25	5	0.27		10	15 20 25
64	56.35	★45.5	25	5	0.33		11	17 20 22 25
69	61.34	★50	25	5	0.41		12	17 18 19 20 22 24 25 28 30
74	66.34	★51	25	5	0.46		13	18 20 22 24 25 28 30 32
79	71.34	52	25	7	0.52		14	18 20 22 24 25 28 30 32 35
84	76.35	57	25	7	0.62		15	15 20 22 24 25 28 30 32 35 38
89	81.37	62	25	7	0.72		16	19 20 22 24 25 28 30 32 35 38 40
94	86.39	67	25	7	0.83		17	18 20 22 24 25 28 30 32 35 38 40
100	91.42	72	28	8	1.00		18	20 22 24 25 28 30 32 35 40
105	96.45	73	28	8	1.10		19	24 25 28 30 32 35 38 40
110	101.48	73	28	8	1.20		20	18 20 22 24 25 28 30 32 35 38 40 45 50
115	106.51	73	28	8	1.20		21	24 25 28 30 32 35 38 40
120	111.55	73	28	8	1.30		22	22 25 28 30 35 40 45
125	116.58	73	28	8	1.30		23	24 25 28 30 32 35 40
130	121.62	73	28	8	1.40		24	22 25 28 30 35 38 40
135	126.66	73	28	8	1.50		25	24 25 28 30 32 35 38 40 45
140	131.70	73	28	8	1.50		26	25 28 30 35 40
145	136.74	73	28	8	1.50		27	30 40
150	141.79	73	28	8	1.60		28	25 28 30 35 40 42
155	146.83	73	28	8	1.70		29	30
161	151.87	73	28	8	1.80		30	28 30 35 40 45
166	156.92	73	28	8	1.85		31	
171	161.96	73	28	8	1.90		32	25 30 35 40
176	167.01	73	28	8	2.00		33	35
181	172.05	73	28	8	2.10		34	30
186	177.10	73	28	8	2.20		35	25 30 35 40

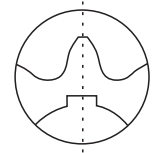
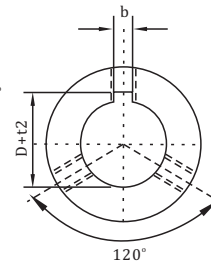
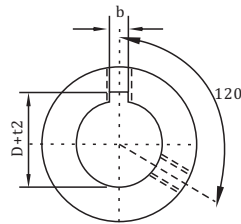
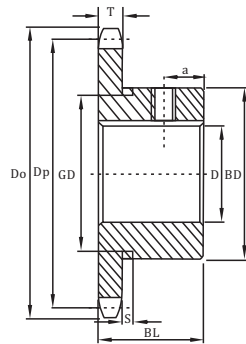
★ Has recessed groove in hub for chain clearance

Finished Bore Sprockets Asian Standard Series

FBN 60B

SPROCKETS		mm
Tooth width (T)		11.7
CHAIN		mm
Pitch (P)		19.05
Internal width		12.07
Roller Φ (Dr)		11.91

Teeth	S	GD
9	8.0	32
10		37
11		45



Keyway is located on center line of tooth.

I

II

BTYPE

Material:C45 ;Hardened Teeth

Do	Dp	BD	BL	a	Wt kg	Type	Teeth	ΦD^{H7}
63	55.70	★43	32	6	0.40	FBN 60B	9	19 20 22 24
68	61.65	★49	32	6	0.49		10	19 20 22 24 25 28 30
76	67.62	★51	32	6	0.60		11	19 20 22 24 25 28 30 32
83	73.60	51	32	8	0.69		12	19 20 22 24 25 28 30 32 35
89	79.60	57	32	8	0.81		13	19 20 22 24 25 28 30 32 35 38 40
95	85.61	62	32	8	0.96		14	19 20 22 24 25 28 30 32 35 38 40
101	91.62	68	32	8	1.10		15	18 19 20 22 24 25 28 30 32 35 38 40 42 45
107	97.65	73	32	8	1.30		16	19 20 22 24 25 28 30 32 35 38 40 42 45 48 50
113	103.67	73	32	8	1.40		17	19 20 22 24 25 28 30 32 35 38 40 42 45 48 50
119	109.71	83	40	12	2.00		18	19 20 22 24 25 28 30 32 35 38 40 42 45 48 50 55
126	115.74	83	40	12	2.10		19	19 20 22 24 25 28 30 32 35 38 40 42 45 48 50 55
132	121.78	83	40	12	2.20		20	19 20 22 24 25 28 30 32 35 38 40 42 45 48 50 55
138	127.82	83	40	12	2.30		21	19 22 24 25 28 30 32 35 38 40 42 45 48 50 55
144	133.86	83	40	12	2.50		22	20 22 24 25 28 30 32 35 38 40 42 45 48 50 55
150	139.90	83	40	12	2.50		23	20 22 24 25 28 30 32 35 38 40 42 45 48 50 55
156	145.95	83	40	12	2.60		24	20 22 24 25 28 30 32 35 38 40 42 45 48 50 55
162	151.99	83	40	12	2.70		25	20 22 24 25 28 30 32 35 38 40 42 45 48 50 55
168	158.04	83	40	12	2.90		26	20 22 24 25 28 30 32 35 38 40 42 45 48 50 55
174	164.09	83	40	12	3.00		27	22 24 25 28 30 32 35 38 40 42 45 48 50
180	170.14	83	40	12	3.10		28	22 24 25 28 30 32 35 38 40 42 45 48 50
187	176.20	83	40	12	3.30		29	
193	182.25	83	40	12	3.40		30	22 24 25 28 30 32 35 38 40 42 45 48 50

★ Has recessed groove in hub for chain clearance

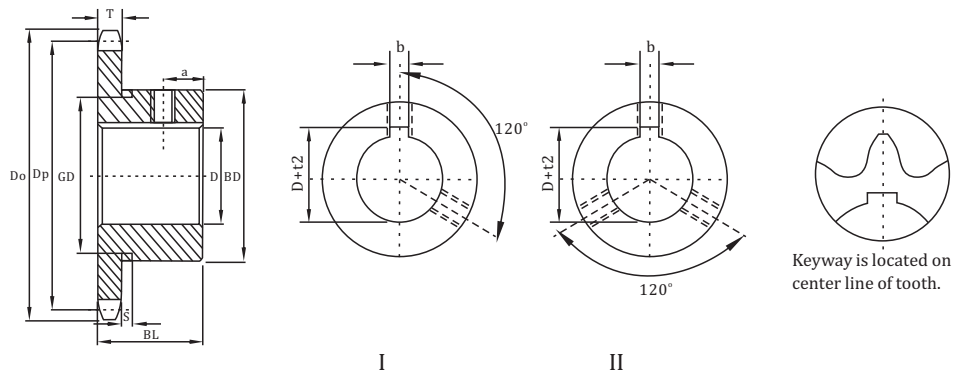
□ Set Screw TYPE II

Finished Bore Sprockets Asian Standard Series

FBK 60B

SPROCKETS	mm
Tooth width (T)	11.7
CHAIN	mm
Pitch (P)	19.05
Internal width	12.07
Roller Φ (Dr)	11.91

Teeth	S	GD
9		32
10	8.0	37
11		45



B TYPE

Material: C45 ; Hardened Teeth

Do	Dp	BD	BL	a	Wt kg	Type	Teeth	ΦD^{H7}
63	55.70	★43	32	6	0.40	FBK 60B	9	
68	61.65	★49	32	6	0.49		10	25
76	67.62	★51	32	6	0.60		11	25 28 30
83	73.60	51	32	8	0.69		12	24 25 28 30 32 35
89	79.60	57	32	8	0.81		13	25 28 30 32 35 38 40
95	85.61	62	32	8	0.96		14	20 25 28 30 32 35 38 40
101	91.62	68	32	8	1.10		15	18 24 25 28 30 32 35 38 40 45
107	97.65	73	32	8	1.30		16	24 25 28 30 32 35 38 40 45 48 50
113	103.67	73	32	8	1.40		17	25 28 30 32 35 38 40 45 50
119	109.71	83	40	12	2.00		18	25 28 30 32 35 38 40 45 50
126	115.74	83	40	12	2.10		19	25 28 30 32 35 38 40 45 50
132	121.78	83	40	12	2.20		20	25 28 30 32 35 38 40 45 50 55
138	127.82	83	40	12	2.30		21	25 28 30 32 35 38 40 45 50
144	133.86	83	40	12	2.50		22	28 30 35 40 45 50 55
150	139.90	83	40	12	2.50		23	28 30 35 40 45 55
156	145.95	83	40	12	2.60		24	25 30 35 38 40 45 50 55
162	151.99	83	40	12	2.70		25	28 30 35 40 45 50
168	158.04	83	40	12	2.90		26	30 35 40 45 50 55
174	164.09	83	40	12	3.00		27	30 35 40 45
180	170.14	83	40	12	3.10		28	30 35 40 45 50
187	176.20	83	40	12	3.30		29	
193	182.25	83	40	12	3.40		30	35 40 45 50

★ Has recessed groove in hub for chain clearance

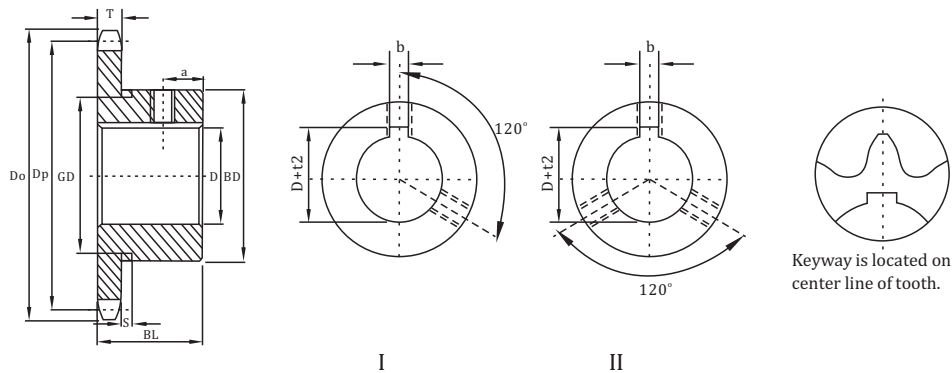
□ Set Screw TYPE II

Finished Bore Sprockets Asian Standard Series

FBN 80B

SPROCKETS	
mm	
Tooth width (T)	14.6
CHAIN	
mm	
Pitch (P)	25.4
Internal width	15.88
Roller Φ (Dr)	15.88

Teeth	S	GD
9	10.4	44



B TYPE

Material: C45 ; Hardened Teeth

Do	Dp	BD	BL	a	Wt kg	Type	Teeth	ΦD^{H7}
85	74.27	★ 58	40	7	0.87	FBN 80B	9	25 28 30 32 35
93	82.19	52	40	12	1.02		10	25 28 30 32
102	90.16	60	40	12	1.25		11	25 28 30 32 35 38
110	98.14	67	40	12	1.60		12	25 28 30 32 35 38 40 42 45
118	106.14	77	40	12	1.90		13	25 28 30 32 35 38 40 42 45 48 50
127	114.15	77	40	12	2.15		14	25 28 30 32 35 38 40 42 45 48 50 55 60
135	122.17	93	40	12	2.30		15	25 28 30 32 35 38 40 42 45 48 50 55 60
143	130.20	93	40	12	2.50		16	24 25 28 30 32 38 40 42 45 48 48 55 60
151	138.23	93	40	12	2.95		17	25 28 30 32 35 38 40 42 45 48 50 55 60
159	146.27	93	40	12	3.15		18	25 28 30 32 35 38 40 42 45 48 50 55 60
167	154.32	93	40	12	3.40		19	25 28 30 32 35 38 40 42 45 48 50 55 60
176	162.37	93	40	12	3.60		20	25 28 30 32 35 38 40 42 45 48 50 55 60
184	170.42	93	40	12	3.85		21	25 28 30 32 35 38 40 42 45 48 50 55 60

★ Has recessed groove in hub for chain clearance

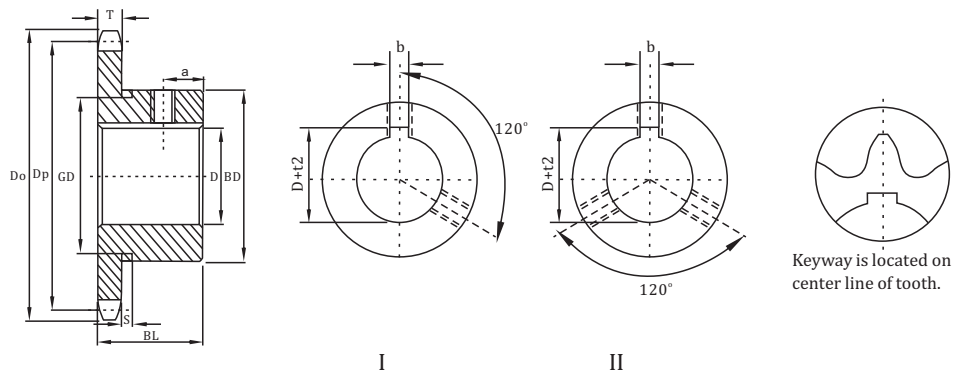
□ Set Screw TYPE II

Finished Bore Sprockets Asian Standard Series

FBK 80B

SPROCKETS	mm
Tooth width (T)	14.6
CHAIN	mm
Pitch (P)	25.4
Internal width	15.88
Roller Φ (Dr)	15.88

Teeth	S	GD
9	10.4	44



B TYPE

Material:C45 ;Hardened Teeth

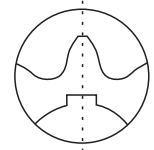
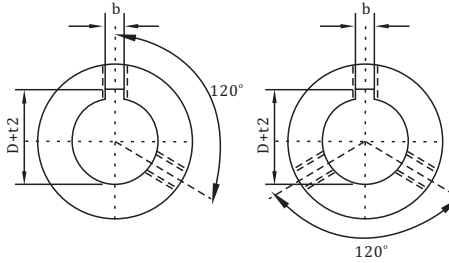
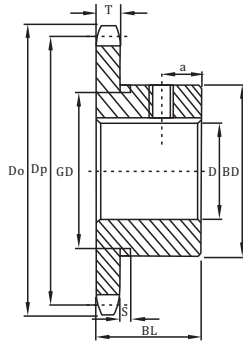
Do	Dp	BD	BL	a	Wt kg	Type	Teeth	ΦD^{H7}									
85	74.27	★58	40	7	0.87	FBK 80B	9										
93	82.19	52	40	12	1.02		10										
102	90.16	60	40	12	1.25		11	35	38								
110	98.14	67	40	12	1.60		12	32	35	38	40	45					
118	106.14	77	40	12	1.90		13	30	32	35	38	40	45	50			
127	114.15	77	40	12	2.15		14	35	38	40	45	50					
135	122.17	93	40	12	2.30		15	32	35	38	40	45	48	50	55	60	
143	130.20	93	40	12	2.50		16	32	38	40	45	50	60				
151	138.23	93	40	12	2.95		17	38	40	45	50	55	60				
159	146.27	93	40	12	3.15		18	25	32	38	40	45	50	60			
167	154.32	93	40	12	3.40		19	35	40	45	50	55	60				
176	162.37	93	40	12	3.60		20	40	45	50	55	60					
184	170.42	93	40	12	3.85		21	40	45	50	55						

★ Has recessed groove in hub for chain clearance

Finished Bore Sprockets Asian Standard Series

FBN 100B
FBN 120B

SPROCKETS		mm
Tooth width (T)		17.6
CHAIN		mm
Pitch (P)		31.75
Internal width		19.05
Roller Φ (Dr)		19.05



Keyway is located on center line of tooth.

I

II

B TYPE

Material:C45 ;Hardened Teeth

Do	Dp	BD	BL	a	Wt kg	Type	Teeth	ΦD^{H7}
117	102.75	65	50	16	1.90	FBN 100B	10	25 28 30 32 35 38 40 42
127	112.70	75	50	16	2.30		11	25 28 30 32 35 38 40 42 45 48 50
138	122.67	86	50	16	2.90		12	25 28 30 32 35 38 40 42 45 48 50 55
148	132.67	94	50	16	3.10		13	25 28 30 32 35 38 40 42 45 48 50 55
158	142.68	98	50	16	3.60		14	25 28 30 32 35 38 40 42 45 48 50 55 60
168	152.71	98	50	16	4.20		15	32 35 38 40 42 45 48 50 55 60
179	162.74	98	50	16	4.60		16	38 45 50 55 60
189	172.79	107	50	16	5.30		17	38 45 50 60
199	182.84	107	50	16	5.70		18	38 45 50 60
209	192.90	107	50	16	6.10		19	38 45 50 60
220	202.96	107	50	16	6.50		20	38 45 50 60
230	213.03	107	50	16	7.00		21	45 50 60

SPROCKETS		mm
Tooth width (T)		23.5

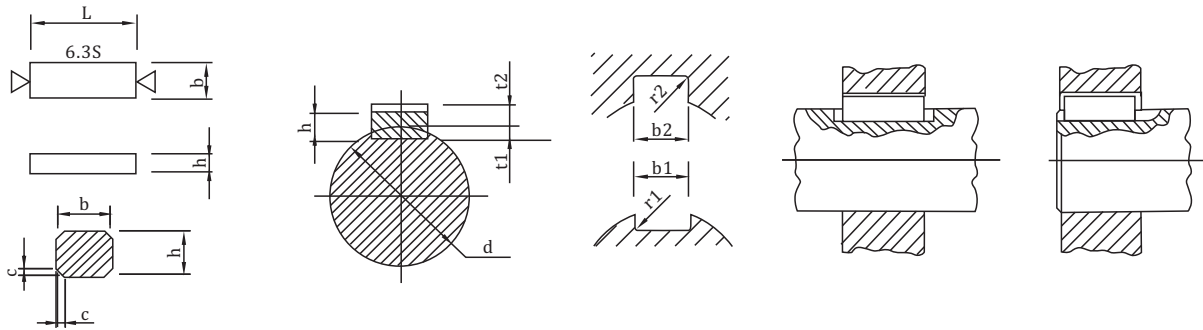
CHAIN		mm
Pitch (P)		38.10
Internal width		25.40
Roller Φ (Dr)		22.23

Material:C45 ;Hardened Teeth

Do	Dp	BD	BL	a	Wt kg	Type	Teeth	ΦD^{H7}
140	123.29	78	56	16	3.20	FBN 120B	10	
153	135.24	91	56	16	4.00		11	
165	147.21	98	56	16	4.80		12	
177	159.20	98	56	16	5.30		13	45 48 50 55 60
190	171.22	107	56	16	6.30		14	45 48 50 55 60
202	183.25	117	63	16	7.80		15	45 48 50 55 60
214	195.29	117	63	16	8.40		16	50 60
227	207.35	117	63	16	9.10		17	
239	219.41	117	63	16	9.90		18	50 60
251	231.48	117	63	16	10.70		19	60
263	243.55	127	63	16	12.10		20	50 60
276	255.63	127	63	16	13.00		21	50 60

Finished Bore Sprockets Asian Standard Series

FBK 80B



New standard (JISB1301-1976)

d	to	b × h	Key				Keyway										Set screw			
			b	Tolerance h9	h	Tolerance	C	L	b1 b2	b1 Tolerance P9	b2 Tolerance N9	B2 Tolerance N9	b2 Tolerance JS9	r1 ~ r2	t1	t2		t1 t2		
6	to	8	2 × 2	2	0	2	0	h9	0.16	6 ~ 20	2	-0.006	-0.004	± 0.0125	0.08	1.2	1.0	+0.1	1-M4	
8	to	10	3 × 3	3	-0.025	3	-0.025			6 ~ 36	3	-0.031	-0.029			~	1.8			1.4
10	to	12	4 × 4	4	0	4	0			8 ~ 45	4	-0.012	0			0.16	2.5			1.8
12	to	17	5 × 5	5	-0.030	5	-0.030	h9	0.25	10 ~ 56	5	-0.042	-0.030	± 0.0150	0.16	3.0	2.3	0	1-M5	
17	to	22	6 × 6	6		6				14 ~ 70	6	-0.042	-0.030			~	3.5			2.8
22	to	30	8 × 7	8	0	7	0	h11	0.40	18 ~ 90	8	-0.015	0	± 0.0180	0.25	4.0	3.3	+0.2	2-M8	
30	to	38	10 × 8	10	-0.036	8	0			22 ~ 110	10	-0.051	-0.036			~	5.0			3.3
38	to	44	12 × 8	12	0	8	-0.090			28 ~ 140	12	-0.018	0			0.25	5.0			3.3
44	to	50	14 × 9	14	0	9	0	h11	0.60	36 ~ 160	14	-0.018	0	± 0.0215	0.40	5.5	3.8	0	2-M10	
50	to	58	16 × 10	16	-0.043	10	0			45 ~ 180	16	-0.061	-0.043			~	6.0			4.3
58	to	65	18 × 11	18	0	11	-0.110			50 ~ 200	18	-0.074	-0.052			0.40	7.0			4.4
65	to	75	20 × 12	20	0	12	0	h11	0.60	56 ~ 220	20	-0.022	0	± 0.0260	0.40	7.5	4.9	0	2-M12	
75	to	85	22 × 14	22	-0.052	14	-0.110			63 ~ 250	22	-0.074	-0.052			~	9.0			5.4
85	to	95	25 × 14	25	0	14	-0.110			70 ~ 280	25	-0.074	-0.052			0.60	9.0			5.4
95	to	110	28 × 16	28	0	16	0	h11	0.80	80 ~ 320	28	-0.026	0	± 0.0310	0.70	10.0	6.4	+0.3	2-M20	
110	to	130	32 × 18	32	-0.062	18	-0.130			90 ~ 360	32	-0.088	-0.062			~	11.0			7.4
130	to	150	36 × 20	36	0	20	-0.130			-	36	-0.088	-0.062			0.70	12.0			8.4
150	to	170	40 × 22	40	0	22	0	h11	1.20	-	40	-0.088	-0.062	± 0.0310	1.00	13.0	9.4	0	2-M24	
170	to	200	45 × 25	45	-0.062	25	-0.130			-	45	-0.088	-0.062			~	15.0			10.4
200	to	230	50 × 28	50	0	28	-0.130			-	50	-0.088	-0.062			1.00	17.0			11.4

Old standard (JISB1301-1959)

d	to	b × h	Key				C	L	b1 b2	Keyway				r1 ~ r2	t1	t2	t1 t2	Set screw	
			TYPE 1		TYPE 2					TYPE 1		TYPE 2							
			b Tolerance P8	h Tolerance h9	b Tolerance h8	h Tolerance h10				b1 Tolerance H8	b2 Tolerance F7	b1 Tolerance H9	b2 Tolerance E9						
10	to	13	4 × 4	+0.024	0	0	0	0.5	10 ~ 45	4	+0.018	+0.022	+0.030	+0.050	0.4	2.5	1.5	Type 1 +0.05 0	1-M5
13	to	20	5 × 5	+0.012	-0.030	-0.018	-0.048		10 ~ 56	5	0	+0.010	0	+0.020		3	2		
20	to	30	7 × 7	+0.030	0	0	0		14 ~ 90	7	+0.022	+0.028	+0.036	+0.061		4	3		
30	to	40	10 × 8	+0.015	0	-0.022	0	0.8	18 ~ 112	10	0	+0.013	0	+0.025	0.6	4.5	3.5	0	2-M8
40	to	50	12 × 8	+0.036	-0.027	0	-0.058		22 ~ 140	12	+0.027	+0.034	+0.043	+0.075		5	5		
50	to	60	15 × 10	+0.018	0	-0.027	0		28 ~ 160	15	0	+0.016	0	+0.032		6	6		
60	to	70	18 × 12	0	0	0	0	1.2	36 ~ 200	18	0	0	0	1.0	6	6	+0.10 0	2-M12	
70	to	80	20 × 13	+0.043	0	0	0		45 ~ 224	20	+0.033	+0.041	+0.052		+0.092	7			6
80	to	95	24 × 16	+0.022	-0.043	-0.033	-0.070		56 ~ 250	24	0	+0.020	0		+0.040	8			8
95	to	110	28 × 18	0	0	0	0	2.0	63 ~ 315	28	0	0	0	1.6	9	9	0	2-M16	
110	to	125	32 × 20	0	0	0	0		80 ~ 355	32	0	0	0		10	10			
125	to	140	35 × 22	0	0	0	0		100 ~ 400	35	0	0	0		11	11			
140	to	160	38 × 24	+0.051	-0.052	-0.039	-0.084	2.0	112 ~ 400	38	+0.039	+0.050	+0.062	+0.112	1.6	12	12	Type 1 +0.075 0	2-M24
160	to	180	42 × 26	+0.026	0	0	0		140 ~ 450	42	0	+0.025	0	+0.050		13	13		
180	to	200	45 × 28	0	0	0	0		160 ~ 450	45	0	0	0	14		14			
200	to	224	50 × 31.5	0	0	0	0	2.0	180 ~ 450	50	0	0	0	1.6	16	15.5	Type 2 +0.150 0	2-M24	
224	to	250	56 × 35.5	+0.062 +0.032	-0.062	0 -0.046	-0.100		200 ~ 450	56	+0.046 0	+0.060 +0.030	+0.074 0		+0.134 +0.060	18			17.5