

Sprockets European Standard Series

3/8" × 7/32"

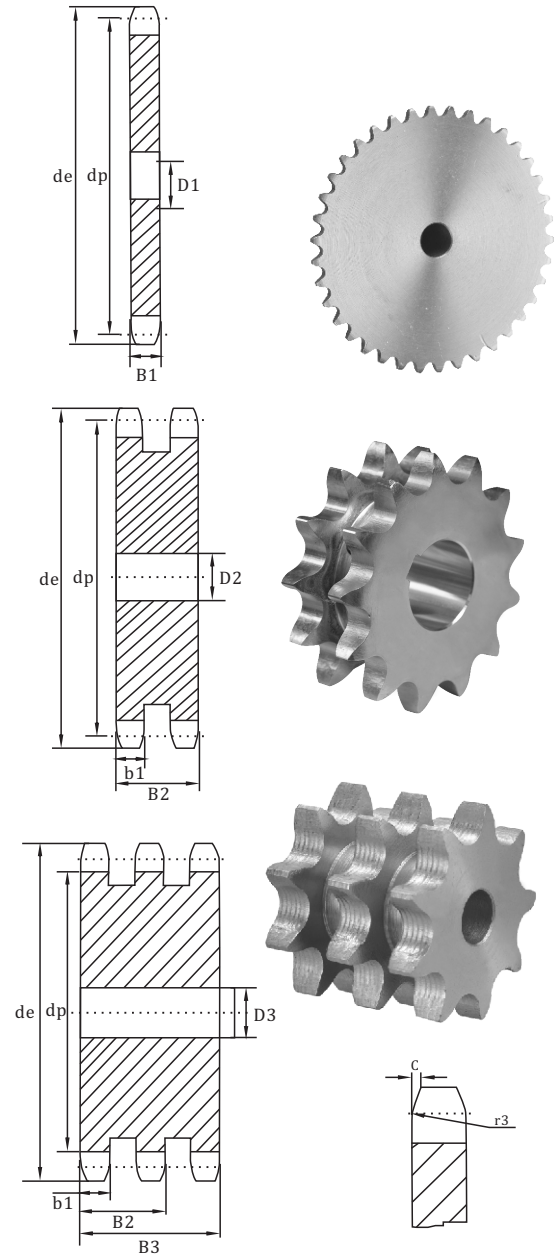
SPROCKETS 3/8" × 7/32"

For Chain Acc. to DIN 8187

ISO/R 606

06B-1-2-3

| Z | d _e | d _p | S | | D | | T | |
|-----|----------------|----------------|----------------|------|----------------|-------|----------------|-------|
| | | | D ₁ | W | D ₂ | W | D ₃ | W |
| 8 | 28.0 | 24.89 | 6 | 0.02 | 8 | 0.03 | 8 | 0.04 |
| 9 | 31.0 | 27.85 | 8 | 0.02 | 8 | 0.04 | 8 | 0.06 |
| 10 | 34.0 | 30.82 | 8 | 0.02 | 8 | 0.05 | 10 | 0.08 |
| 11 | 37.0 | 33.80 | 8 | 0.03 | 10 | 0.06 | 10 | 0.09 |
| 12 | 40.0 | 36.80 | 8 | 0.03 | 10 | 0.08 | 10 | 0.12 |
| 13 | 43.0 | 39.79 | 8 | 0.04 | 10 | 0.10 | 10 | 0.15 |
| 14 | 46.3 | 42.80 | 8 | 0.04 | 10 | 0.12 | 12 | 0.18 |
| 15 | 49.3 | 45.81 | 8 | 0.06 | 10 | 0.14 | 12 | 0.22 |
| 16 | 52.3 | 48.82 | 10 | 0.07 | 12 | 0.16 | 12 | 0.26 |
| 17 | 55.3 | 51.83 | 10 | 0.08 | 12 | 0.19 | 12 | 0.30 |
| 18 | 58.3 | 54.85 | 10 | 0.09 | 12 | 0.21 | 12 | 0.35 |
| 19 | 61.3 | 57.87 | 10 | 0.10 | 12 | 0.24 | 12 | 0.39 |
| 20 | 64.3 | 60.89 | 10 | 0.11 | 12 | 0.27 | 12 | 0.44 |
| 21 | 68.0 | 63.91 | 10 | 0.13 | 12 | 0.30 | 14 | 0.48 |
| 22 | 71.0 | 66.93 | 10 | 0.14 | 12 | 0.34 | 14 | 0.54 |
| 23 | 73.5 | 69.95 | 10 | 0.15 | 12 | 0.37 | 14 | 0.59 |
| 24 | 77.0 | 72.97 | 10 | 0.16 | 12 | 0.41 | 14 | 0.66 |
| 25 | 80.0 | 76.02 | 10 | 0.18 | 12 | 0.45 | 14 | 0.72 |
| 26 | 83.0 | 79.02 | 10 | 0.19 | 12 | 0.48 | 14 | 0.79 |
| 27 | 86.0 | 82.02 | 10 | 0.21 | 12 | 0.53 | 14 | 0.86 |
| 28 | 89.0 | 85.07 | 10 | 0.22 | 12 | 0.57 | 14 | 0.93 |
| 29 | 92.0 | 88.09 | 10 | 0.24 | 12 | 0.62 | 14 | 1.01 |
| 30 | 94.7 | 91.12 | 10 | 0.25 | 12 | 0.66 | 14 | 1.09 |
| 31 | 98.3 | 94.15 | 12 | 0.27 | 14 | 0.71 | 16 | 1.17 |
| 32 | 101.3 | 97.17 | 12 | 0.29 | 14 | 0.77 | 16 | 1.26 |
| 33 | 104.3 | 100.20 | 12 | 0.30 | 14 | 0.82 | 16 | 1.36 |
| 34 | 107.3 | 103.23 | 12 | 0.32 | 14 | 0.87 | 16 | 1.44 |
| 35 | 110.4 | 106.26 | 12 | 0.34 | 14 | 0.93 | 16 | 1.53 |
| 36 | 113.4 | 109.29 | 12 | 0.36 | 14 | 0.98 | 16 | 1.61 |
| 37 | 116.4 | 112.32 | 12 | 0.38 | 14 | 1.06 | 16 | 1.73 |
| 38 | 119.5 | 115.35 | 12 | 0.40 | 14 | 1.11 | 16 | 1.83 |
| 39 | 122.5 | 118.37 | 12 | 0.42 | 14 | 1.17 | 16 | 1.92 |
| 40 | 125.5 | 121.40 | 12 | 0.45 | 14 | 1.23 | 16 | 2.02 |
| 41 | 128.5 | 124.43 | 16 | 0.48 | 16 | 1.29 | 16 | 2.14 |
| 42 | 131.6 | 127.46 | 16 | 0.50 | 16 | 1.35 | 16 | 2.24 |
| 43 | 134.6 | 130.49 | 16 | 0.52 | 16 | 1.45 | 16 | 2.38 |
| 44 | 137.6 | 133.52 | 16 | 0.54 | 16 | 1.51 | 16 | 2.48 |
| 45 | 140.7 | 136.55 | 16 | 0.57 | 16 | 1.58 | 16 | 2.60 |
| 46 | 143.7 | 139.58 | 16 | 0.59 | 16 | 1.67 | 16 | 2.74 |
| 47 | 146.7 | 142.61 | 16 | 0.62 | 16 | 1.74 | 16 | 2.86 |
| 48 | 149.7 | 145.64 | 16 | 0.64 | 16 | 1.81 | 16 | 2.97 |
| 49 | 152.7 | 148.66 | 16 | 0.67 | 16 | 1.88 | 16 | 3.13 |
| 50 | 155.7 | 151.69 | 16 | 0.70 | 16 | 1.96 | 16 | 3.25 |
| 51 | 158.7 | 154.72 | 16 | 0.72 | 16 | 2.06 | 20 | 3.46 |
| 52 | 161.8 | 157.75 | 16 | 0.75 | 16 | 2.14 | 20 | 3.60 |
| 53 | 164.8 | 160.78 | 16 | 0.78 | 16 | 2.22 | 20 | 3.73 |
| 54 | 167.8 | 163.82 | 16 | 0.81 | 16 | 2.33 | 20 | 3.87 |
| 55 | 170.8 | 166.85 | 16 | 0.84 | 16 | 2.41 | 20 | 4.01 |
| 56 | 173.8 | 169.88 | 16 | 0.87 | 16 | 2.50 | 20 | 4.15 |
| 57 | 176.9 | 172.91 | 16 | 0.90 | 16 | 2.62 | 20 | 4.30 |
| 58 | 179.9 | 175.93 | 16 | 0.93 | 16 | 2.71 | 20 | 4.45 |
| 59 | 183.0 | 178.96 | 16 | 0.96 | 16 | 2.80 | 20 | 4.60 |
| 60 | 186.0 | 181.99 | 16 | 1.00 | 16 | 2.89 | 20 | 4.75 |
| 62 | 192.1 | 188.06 | 20 | 1.06 | 20 | 3.09 | 20 | 5.13 |
| 64 | 198.2 | 194.12 | 20 | 1.13 | 20 | 3.28 | 20 | 5.46 |
| 65 | 201.6 | 197.15 | 20 | 1.17 | 20 | 3.40 | 20 | 5.65 |
| 66 | 204.6 | 200.18 | 20 | 1.20 | 20 | 3.54 | 25 | 5.82 |
| 68 | 210.7 | 206.24 | 20 | 1.28 | 20 | 3.75 | 25 | 6.24 |
| 70 | 216.7 | 212.30 | 20 | 1.35 | 20 | 3.97 | 25 | 6.60 |
| 72 | 222.8 | 218.37 | 20 | 1.43 | 20 | 4.20 | 25 | 6.98 |
| 75 | 231.9 | 227.46 | 20 | 1.55 | 20 | 4.55 | 25 | 7.64 |
| 76 | 234.9 | 230.49 | 20 | 1.59 | 20 | 4.67 | 25 | 7.84 |
| 78 | 241.0 | 236.55 | 20 | 1.67 | 20 | 4.97 | 25 | 8.35 |
| 80 | 247.1 | 242.61 | 20 | 1.76 | 20 | 5.22 | 25 | 8.78 |
| 85 | 262.2 | 257.77 | 20 | 1.98 | 20 | 5.94 | 25 | 9.88 |
| 90 | 277.4 | 272.93 | 20 | 2.21 | 20 | 6.71 | 25 | 11.06 |
| 95 | 292.5 | 288.08 | 20 | 2.46 | 20 | 7.50 | 25 | 12.30 |
| 100 | 307.7 | 303.25 | 20 | 2.72 | 20 | 8.34 | 25 | 13.61 |
| 110 | 338.0 | 333.55 | 20 | 3.29 | 20 | 10.14 | 25 | 16.60 |
| 114 | 349.5 | 345.68 | 20 | 3.52 | 20 | 10.90 | 25 | 17.75 |
| 120 | 368.3 | 363.86 | 20 | 3.90 | 20 | 12.11 | 25 | 19.93 |
| 125 | 383.5 | 379.02 | 20 | 4.23 | 20 | 13.16 | 25 | 21.60 |



| PLATEWHEELS | | mm |
|---|--|-------|
| Tooth radius r ₃ | | 10 |
| Radius width C | | 1 |
| Tooth width B ₁ | | 5.3 |
| Tooth width b ₁ | | 5.2 |
| Tooth width B ₂ | | 15.4 |
| Tooth width B ₃ | | 25.6 |
| CHAIN | | mm |
| Pitch | | 9.525 |
| Internal width | | 5.72 |
| Roller Φ | | 6.35 |
| H=7mm- From | | |
| Z=100 the width of the plate is increased | | |

Sprockets

European Standard Series

1/2" × 1/8"

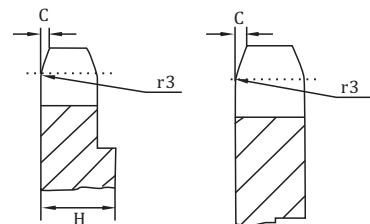
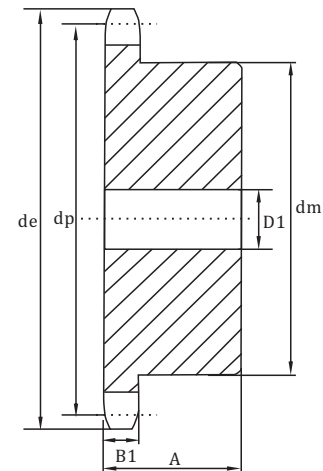
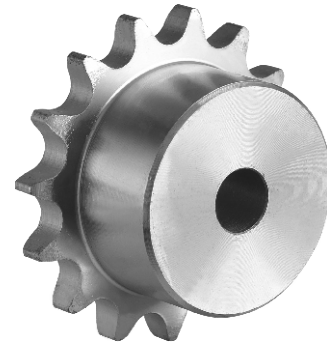
SPROCKETS 1/2" × 1/8"

For Chain Acc. to DIN 8187

ISO/R 606

081B-1

| Z | d _e | d _p | SIMPLEX | | | |
|-----|----------------|----------------|----------------|----------------|----|-------|
| | | | d _m | D ₁ | A | W |
| 8 | 37.2 | 33.18 | 21 | 8 | 14 | 0.04 |
| 9 | 41.5 | 37.13 | 25 | 8 | 14 | 0.06 |
| 10 | 46.2 | 41.10 | 28 | 8 | 14 | 0.07 |
| 11 | 49.6 | 45.07 | 31 | 8 | 16 | 0.10 |
| 12 | 53.9 | 49.07 | 35 | 8 | 16 | 0.13 |
| 13 | 58.4 | 53.06 | 39 | 8 | 16 | 0.16 |
| 14 | 62.8 | 57.07 | 43 | 8 | 16 | 0.19 |
| 15 | 66.8 | 61.09 | 47 | 8 | 16 | 0.23 |
| 16 | 70.9 | 65.10 | 50 | 10 | 18 | 0.29 |
| 17 | 74.9 | 69.11 | 50 | 10 | 18 | 0.30 |
| 18 | 78.9 | 73.14 | 50 | 10 | 18 | 0.31 |
| 19 | 82.9 | 77.16 | 50 | 10 | 18 | 0.32 |
| 20 | 86.9 | 81.19 | 50 | 10 | 18 | 0.33 |
| 21 | 91.0 | 85.22 | 60 | 12 | 20 | 0.48 |
| 22 | 95.0 | 89.24 | 60 | 12 | 20 | 0.49 |
| 23 | 99.0 | 93.27 | 60 | 12 | 20 | 0.51 |
| 24 | 103.0 | 97.29 | 60 | 12 | 20 | 0.52 |
| 25 | 107.1 | 101.33 | 60 | 12 | 20 | 0.53 |
| 26 | 111.2 | 105.36 | 70 | 16 | 20 | 0.67 |
| 27 | 115.4 | 109.40 | 70 | 16 | 20 | 0.69 |
| 28 | 119.4 | 113.42 | 70 | 16 | 20 | 0.70 |
| 29 | 123.4 | 117.46 | 70 | 16 | 20 | 0.72 |
| 30 | 127.5 | 121.50 | 70 | 16 | 20 | 0.74 |
| 31 | 131.5 | 125.54 | 70 | 16 | 20 | 0.76 |
| 32 | 135.5 | 129.56 | 70 | 16 | 20 | 0.77 |
| 33 | 139.6 | 133.60 | 70 | 16 | 20 | 0.79 |
| 34 | 143.6 | 137.64 | 70 | 16 | 20 | 0.81 |
| 35 | 147.6 | 141.68 | 70 | 16 | 20 | 0.83 |
| 36 | 151.7 | 145.72 | 70 | 16 | 25 | 1.00 |
| 37 | 155.7 | 149.76 | 70 | 16 | 25 | 1.02 |
| 38 | 159.8 | 153.80 | 70 | 16 | 25 | 1.04 |
| 39 | 163.8 | 157.83 | 70 | 16 | 25 | 1.06 |
| 40 | 167.8 | 161.87 | 70 | 16 | 25 | 1.09 |
| 41 | 171.4 | 165.91 | 78 | 16 | 32 | 1.40 |
| 42 | 175.4 | 169.95 | 78 | 16 | 32 | 1.44 |
| 43 | 179.5 | 173.99 | 78 | 16 | 32 | 1.47 |
| 44 | 183.5 | 178.03 | 78 | 16 | 32 | 1.50 |
| 45 | 187.5 | 182.07 | 78 | 16 | 32 | 1.54 |
| 46 | 191.6 | 186.10 | 78 | 16 | 32 | 1.57 |
| 47 | 195.6 | 190.14 | 78 | 16 | 32 | 1.61 |
| 48 | 199.7 | 194.18 | 78 | 16 | 32 | 1.65 |
| 49 | 203.7 | 198.22 | *78 | 16 | 32 | 1.68 |
| 50 | 207.8 | 202.26 | *78 | 16 | 32 | 1.72 |
| 51 | 211.8 | 206.30 | *78 | 16 | 32 | 1.76 |
| 52 | 215.9 | 210.34 | *78 | 16 | 32 | 1.80 |
| 53 | 219.9 | 214.37 | *78 | 16 | 32 | 1.84 |
| 54 | 224.0 | 218.43 | *78 | 16 | 32 | 1.88 |
| 55 | 228.0 | 222.46 | *78 | 16 | 32 | 1.92 |
| 56 | 232.1 | 226.50 | *78 | 16 | 32 | 1.97 |
| 57 | 236.1 | 230.54 | *78 | 16 | 32 | 2.01 |
| 58 | 240.2 | 234.58 | *78 | 16 | 32 | 2.05 |
| 59 | 244.2 | 238.62 | *78 | 16 | 32 | 2.10 |
| 60 | 248.2 | 242.66 | *78 | 16 | 32 | 2.14 |
| 62 | 256.7 | 250.75 | *78 | 16 | 32 | 2.24 |
| 64 | 264.8 | 258.82 | *78 | 16 | 32 | 2.34 |
| 65 | 268.8 | 262.86 | *78 | 16 | 32 | 2.39 |
| 66 | 272.9 | 266.90 | *78 | 16 | 32 | 2.44 |
| 68 | 280.9 | 274.99 | *78 | 16 | 32 | 2.54 |
| 70 | 289.0 | 283.07 | *78 | 16 | 32 | 2.64 |
| 72 | 297.1 | 291.16 | *78 | 16 | 32 | 2.75 |
| 76 | 313.3 | 307.33 | *78 | 16 | 32 | 2.98 |
| 78 | 321.4 | 315.40 | *78 | 16 | 32 | 3.10 |
| 80 | 329.4 | 323.48 | *78 | 16 | 32 | 3.21 |
| 85 | 349.7 | 343.70 | *80 | 16 | 32 | 3.56 |
| 90 | 369.9 | 363.90 | *80 | 16 | 32 | 3.90 |
| 95 | 390.1 | 384.10 | *80 | 16 | 32 | 6.51 |
| 100 | 410.3 | 404.31 | *80 | 16 | 32 | 7.10 |
| 110 | 450.7 | 444.74 | *80 | 16 | 32 | 8.36 |
| 114 | 466.9 | 460.90 | *80 | 16 | 32 | 8.90 |
| 120 | 491.2 | 485.16 | *80 | 16 | 32 | 9.74 |
| 125 | 511.4 | 505.37 | *80 | 16 | 32 | 10.47 |



| SPROCKETS | mm |
|-------------------------------------|------|
| Tooth radius r ₃ | 13 |
| Radius width C | 1.0 |
| Tooth width B ₁ | 3 |
| CHAIN | mm |
| Pitch | 12.7 |
| Internal width | 3.3 |
| Roller Φ | 7.75 |
| Material:C 45 *Weld- on hub | |
| H=5mm- From Z=31 | |
| the width of the plate is increased | |

Sprockets

European Standard Series

1/2" × 1/8"

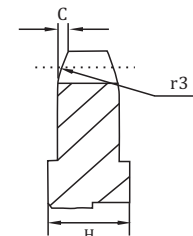
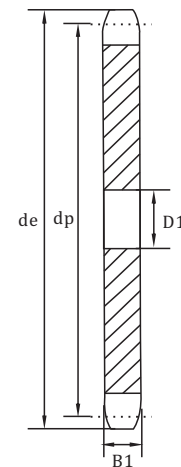
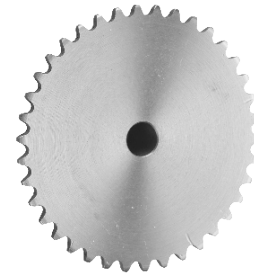
PLATEWHEELS 1/2" × 1/8"

For Chain Acc. to DIN 8187

ISO/R 606

081B-1

| Z | d _e | d _p | S | |
|-----|----------------|----------------|----------------|------|
| | | | D ₁ | W |
| 8 | 37.2 | 33.18 | 8 | 0.02 |
| 9 | 41.5 | 37.13 | 8 | 0.03 |
| 10 | 46.2 | 41.10 | 8 | 0.04 |
| 11 | 49.6 | 45.07 | 8 | 0.04 |
| 12 | 53.9 | 49.07 | 8 | 0.05 |
| 13 | 58.4 | 53.06 | 8 | 0.06 |
| 14 | 62.8 | 57.07 | 8 | 0.07 |
| 15 | 66.8 | 61.09 | 8 | 0.07 |
| 16 | 70.9 | 65.10 | 8 | 0.08 |
| 17 | 74.9 | 69.11 | 8 | 0.09 |
| 18 | 78.9 | 73.14 | 8 | 0.10 |
| 19 | 82.9 | 77.16 | 8 | 0.11 |
| 20 | 86.9 | 81.19 | 8 | 0.13 |
| 21 | 91.0 | 85.22 | 8 | 0.14 |
| 22 | 95.0 | 89.24 | 10 | 0.15 |
| 23 | 99.0 | 93.27 | 10 | 0.16 |
| 24 | 103.0 | 97.29 | 10 | 0.18 |
| 25 | 107.1 | 101.33 | 10 | 0.19 |
| 26 | 111.2 | 105.36 | 12 | 0.21 |
| 27 | 115.4 | 109.40 | 12 | 0.22 |
| 28 | 119.4 | 113.42 | 12 | 0.24 |
| 29 | 123.4 | 117.46 | 12 | 0.25 |
| 30 | 127.5 | 121.50 | 12 | 0.27 |
| 31 | 131.5 | 125.54 | 12 | 0.29 |
| 32 | 135.5 | 129.56 | 12 | 0.31 |
| 33 | 139.6 | 133.60 | 12 | 0.32 |
| 34 | 143.6 | 137.64 | 12 | 0.34 |
| 35 | 147.6 | 141.68 | 12 | 0.36 |
| 36 | 151.7 | 145.72 | 16 | 0.38 |
| 37 | 155.7 | 149.76 | 16 | 0.40 |
| 38 | 159.8 | 153.80 | 16 | 0.43 |
| 39 | 163.8 | 157.83 | 16 | 0.45 |
| 40 | 167.8 | 161.87 | 16 | 0.47 |
| 41 | 171.4 | 165.91 | 16 | 0.49 |
| 42 | 175.4 | 169.95 | 16 | 0.51 |
| 43 | 179.5 | 173.99 | 16 | 0.54 |
| 44 | 183.5 | 178.03 | 16 | 0.56 |
| 45 | 187.5 | 182.07 | 16 | 0.59 |
| 46 | 191.6 | 186.10 | 20 | 0.61 |
| 47 | 195.6 | 190.14 | 20 | 0.64 |
| 48 | 199.7 | 194.18 | 20 | 0.66 |
| 49 | 203.7 | 198.22 | 20 | 0.69 |
| 50 | 207.8 | 202.26 | 20 | 0.72 |
| 51 | 211.8 | 206.30 | 20 | 0.75 |
| 52 | 215.9 | 210.34 | 20 | 0.78 |
| 53 | 219.9 | 214.37 | 20 | 0.81 |
| 54 | 224.0 | 218.43 | 20 | 0.84 |
| 55 | 228.0 | 222.46 | 20 | 0.87 |
| 56 | 232.1 | 226.50 | 20 | 0.90 |
| 57 | 236.1 | 230.54 | 20 | 0.93 |
| 58 | 240.2 | 234.58 | 20 | 0.96 |
| 59 | 244.2 | 238.62 | 20 | 0.99 |
| 60 | 248.2 | 242.66 | 20 | 1.03 |
| 62 | 256.7 | 250.75 | 20 | 1.10 |
| 64 | 264.8 | 258.82 | 20 | 1.17 |
| 65 | 268.8 | 262.86 | 20 | 1.20 |
| 66 | 272.9 | 266.90 | 25 | 1.24 |
| 68 | 280.9 | 274.99 | 25 | 1.31 |
| 70 | 289.0 | 283.07 | 25 | 1.39 |
| 72 | 297.1 | 291.16 | 25 | 1.47 |
| 76 | 313.3 | 307.33 | 25 | 1.64 |
| 78 | 321.4 | 315.40 | 25 | 1.72 |
| 80 | 329.4 | 323.48 | 25 | 1.81 |
| 85 | 349.7 | 343.70 | 25 | 2.04 |
| 90 | 369.9 | 363.90 | 25 | 2.28 |
| 95 | 390.1 | 384.10 | 25 | 2.54 |
| 100 | 410.3 | 404.31 | 25 | 2.80 |
| 110 | 450.7 | 444.74 | 25 | 3.38 |
| 114 | 466.9 | 460.90 | 25 | 3.63 |
| 120 | 491.2 | 485.16 | 25 | 4.02 |
| 125 | 511.4 | 505.37 | 25 | 4.36 |



| | |
|--|------|
| PLATEWHEELS | mm |
| Tooth radius r ₃ | 13 |
| Radius width C | 1.0 |
| Tooth width B ₁ | 3 |
| CHAIN | mm |
| Pitch | 12.7 |
| Internal width | 3.3 |
| Roller Φ | 7.75 |
| H=4mm- From | |
| Z=30 the width of the plate is increased | |
| H=6mm- From | |
| Z=90 the width of the plate is increased | |

Sprockets

European Standard Series

1/2" × 3/16"

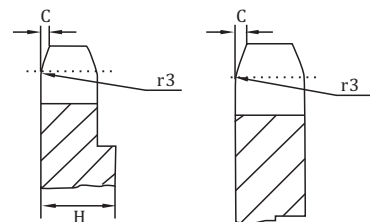
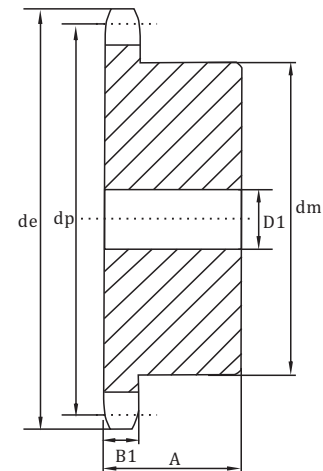
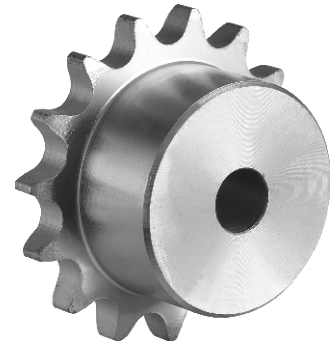
SPROCKETS 1/2" × 3/16"

For Chain Acc. to DIN 8187

ISO/R 606

083B/084B-1

| Z | d _e | d _p | SIMPLEX | | | |
|-----|----------------|----------------|----------------|----------------|----|---|
| | | | d _m | D ₁ | A | W |
| 8 | 38.5 | 33.18 | 21 | 8 | 14 | |
| 9 | 41.5 | 37.13 | 25 | 8 | 14 | |
| 10 | 46.2 | 41.10 | 28 | 8 | 14 | |
| 11 | 49.6 | 45.07 | 31 | 8 | 16 | |
| 12 | 53.9 | 49.07 | 35 | 8 | 16 | |
| 13 | 58.4 | 53.06 | 39 | 8 | 16 | |
| 14 | 62.8 | 57.07 | 43 | 8 | 16 | |
| 15 | 66.8 | 61.09 | 47 | 8 | 16 | |
| 16 | 70.9 | 65.10 | 50 | 10 | 18 | |
| 17 | 74.9 | 69.11 | 50 | 10 | 18 | |
| 18 | 78.9 | 73.14 | 50 | 10 | 18 | |
| 19 | 82.9 | 77.16 | 50 | 10 | 18 | |
| 20 | 86.9 | 81.19 | 50 | 10 | 18 | |
| 21 | 91.0 | 85.22 | 60 | 12 | 20 | |
| 22 | 95.0 | 89.24 | 60 | 12 | 20 | |
| 23 | 99.0 | 93.27 | 60 | 12 | 20 | |
| 24 | 103.0 | 97.29 | 60 | 12 | 20 | |
| 25 | 107.1 | 101.33 | 60 | 12 | 20 | |
| 26 | 111.2 | 105.36 | 70 | 16 | 20 | |
| 27 | 115.4 | 109.40 | 70 | 16 | 20 | |
| 28 | 119.4 | 113.42 | 70 | 16 | 20 | |
| 29 | 123.4 | 117.46 | 70 | 16 | 20 | |
| 30 | 127.5 | 121.50 | 70 | 16 | 20 | |
| 31 | 131.5 | 125.54 | 70 | 16 | 20 | |
| 32 | 135.5 | 129.56 | 70 | 16 | 20 | |
| 33 | 139.6 | 133.60 | 70 | 16 | 20 | |
| 34 | 143.6 | 137.64 | 70 | 16 | 20 | |
| 35 | 147.6 | 141.68 | 70 | 16 | 20 | |
| 36 | 151.7 | 145.72 | 70 | 16 | 25 | |
| 37 | 155.7 | 149.76 | 70 | 16 | 25 | |
| 38 | 159.8 | 153.80 | 70 | 16 | 25 | |
| 39 | 163.8 | 157.83 | 70 | 16 | 25 | |
| 40 | 167.8 | 161.87 | 70 | 16 | 25 | |
| 41 | 171.4 | 165.91 | 78 | 16 | 32 | |
| 42 | 175.4 | 169.95 | 78 | 16 | 32 | |
| 43 | 179.5 | 173.99 | 78 | 16 | 32 | |
| 44 | 183.5 | 178.03 | 78 | 16 | 32 | |
| 45 | 187.5 | 182.07 | 78 | 16 | 32 | |
| 46 | 191.6 | 186.10 | 78 | 16 | 32 | |
| 47 | 195.6 | 190.14 | 78 | 16 | 32 | |
| 48 | 199.7 | 194.18 | 78 | 16 | 32 | |
| 49 | 203.7 | 198.22 | *78 | 16 | 32 | |
| 50 | 207.8 | 202.26 | *78 | 16 | 32 | |
| 51 | 211.8 | 206.30 | *78 | 16 | 32 | |
| 52 | 215.9 | 210.34 | *78 | 16 | 32 | |
| 53 | 219.9 | 214.37 | *78 | 16 | 32 | |
| 54 | 224.0 | 218.43 | *78 | 16 | 32 | |
| 55 | 228.0 | 222.46 | *78 | 16 | 32 | |
| 56 | 232.1 | 226.50 | *78 | 16 | 32 | |
| 57 | 236.1 | 230.54 | *78 | 16 | 32 | |
| 58 | 240.2 | 234.58 | *78 | 16 | 32 | |
| 59 | 244.2 | 238.62 | *78 | 16 | 32 | |
| 60 | 248.2 | 242.66 | *78 | 16 | 32 | |
| 62 | 256.7 | 250.75 | *78 | 16 | 32 | |
| 64 | 264.8 | 258.82 | *78 | 16 | 32 | |
| 65 | 268.8 | 262.86 | *78 | 16 | 32 | |
| 66 | 272.9 | 266.90 | *78 | 16 | 32 | |
| 68 | 280.9 | 274.99 | *78 | 16 | 32 | |
| 70 | 289.0 | 283.07 | *78 | 16 | 32 | |
| 72 | 297.1 | 291.16 | *78 | 16 | 32 | |
| 76 | 313.3 | 307.33 | *78 | 16 | 32 | |
| 78 | 321.4 | 315.40 | *78 | 16 | 32 | |
| 80 | 329.4 | 323.48 | *78 | 16 | 32 | |
| 85 | 349.7 | 343.70 | *80 | 16 | 32 | |
| 90 | 369.9 | 363.90 | *80 | 16 | 32 | |
| 95 | 390.1 | 384.10 | *80 | 16 | 32 | |
| 100 | 410.3 | 404.31 | *80 | 16 | 32 | |
| 110 | 450.7 | 444.74 | *80 | 16 | 32 | |
| 114 | 466.9 | 460.90 | *80 | 16 | 32 | |
| 120 | 491.2 | 485.16 | *80 | 16 | 32 | |
| 125 | 511.4 | 505.37 | *80 | 16 | 32 | |



| SPROCKETS | mm |
|-----------------------------|------|
| Tooth radius r ₃ | 13 |
| Radius width C | 1.3 |
| Tooth width B ₁ | 4.5 |
| CHAIN | mm |
| Pitch | 12.7 |
| Internal width | 4.88 |
| Roller Φ | 7.75 |
| Material: C 45 *Weld-on hub | |

Sprockets

European Standard Series

1/2" × 3/16"

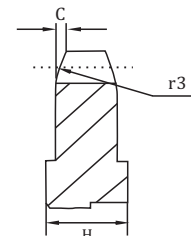
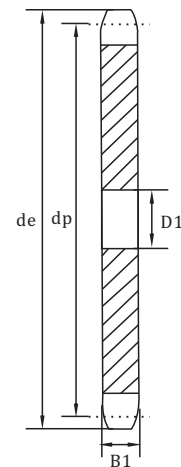
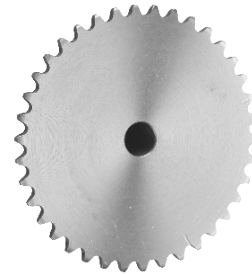
PLATEWHEELS 1/2" × 3/16"

For Chain Acc. to DIN 8187

ISO/R 606

083B/084B-1

| Z | d _e | d _p | S | |
|-----|----------------|----------------|----------------|---|
| | | | D ₁ | W |
| 8 | 38.5 | 33.18 | 8 | |
| 9 | 41.5 | 37.13 | 8 | |
| 10 | 46.2 | 41.10 | 8 | |
| 11 | 49.6 | 45.07 | 8 | |
| 12 | 53.9 | 49.07 | 8 | |
| 13 | 58.4 | 53.06 | 8 | |
| 14 | 62.8 | 57.07 | 8 | |
| 15 | 66.8 | 61.09 | 8 | |
| 16 | 70.9 | 65.10 | 8 | |
| 17 | 74.9 | 69.11 | 8 | |
| 18 | 78.9 | 73.14 | 8 | |
| 19 | 82.9 | 77.16 | 8 | |
| 20 | 86.9 | 81.19 | 8 | |
| 21 | 91.0 | 85.22 | 8 | |
| 22 | 95.0 | 89.24 | 10 | |
| 23 | 99.0 | 93.27 | 10 | |
| 24 | 103.0 | 97.29 | 10 | |
| 25 | 107.1 | 101.33 | 10 | |
| 26 | 111.2 | 105.36 | 12 | |
| 27 | 115.4 | 109.40 | 12 | |
| 28 | 119.4 | 113.42 | 12 | |
| 29 | 123.4 | 117.46 | 12 | |
| 30 | 127.5 | 121.50 | 12 | |
| 31 | 131.5 | 125.54 | 12 | |
| 32 | 135.5 | 129.56 | 12 | |
| 33 | 139.6 | 133.60 | 12 | |
| 34 | 143.6 | 137.64 | 12 | |
| 35 | 147.6 | 141.68 | 12 | |
| 36 | 151.7 | 145.72 | 16 | |
| 37 | 155.7 | 149.76 | 16 | |
| 38 | 159.8 | 153.80 | 16 | |
| 39 | 163.8 | 157.83 | 16 | |
| 40 | 167.8 | 161.87 | 16 | |
| 41 | 171.4 | 165.91 | 16 | |
| 42 | 175.4 | 169.95 | 16 | |
| 43 | 179.5 | 173.99 | 16 | |
| 44 | 183.5 | 178.03 | 16 | |
| 45 | 187.5 | 182.07 | 16 | |
| 46 | 191.6 | 186.10 | 20 | |
| 47 | 195.6 | 190.14 | 20 | |
| 48 | 199.7 | 194.18 | 20 | |
| 49 | 203.7 | 198.22 | 20 | |
| 50 | 207.8 | 202.26 | 20 | |
| 51 | 211.8 | 206.30 | 20 | |
| 52 | 215.9 | 210.34 | 20 | |
| 53 | 219.9 | 214.37 | 20 | |
| 54 | 224.0 | 218.43 | 20 | |
| 55 | 228.0 | 222.46 | 20 | |
| 56 | 232.1 | 226.50 | 20 | |
| 57 | 236.1 | 230.54 | 20 | |
| 58 | 240.2 | 234.58 | 20 | |
| 59 | 244.2 | 238.62 | 20 | |
| 60 | 248.2 | 242.66 | 20 | |
| 62 | 256.7 | 250.75 | 20 | |
| 64 | 264.8 | 258.82 | 20 | |
| 65 | 268.8 | 262.86 | 20 | |
| 66 | 272.9 | 266.90 | 25 | |
| 68 | 280.9 | 274.99 | 25 | |
| 70 | 289.0 | 283.07 | 25 | |
| 72 | 297.1 | 291.16 | 25 | |
| 76 | 313.3 | 307.33 | 25 | |
| 78 | 321.4 | 315.40 | 25 | |
| 80 | 329.4 | 323.48 | 25 | |
| 85 | 349.7 | 343.70 | 25 | |
| 90 | 369.9 | 363.90 | 25 | |
| 95 | 390.1 | 384.10 | 25 | |
| 100 | 410.3 | 404.31 | 25 | |
| 110 | 450.7 | 444.74 | 25 | |
| 114 | 466.9 | 460.90 | 25 | |
| 120 | 491.2 | 485.16 | 25 | |
| 125 | 511.4 | 505.37 | 25 | |



| | |
|--|------|
| PLATEWHEELS | mm |
| Tooth radius r ₃ | 13 |
| Radius width C | 1.3 |
| Tooth width B ₁ | 4.5 |
| CHAIN | mm |
| Pitch | 12.7 |
| Internal width | 4.88 |
| Roller Φ | 7.75 |
| H=6mm- From | |
| Z=90 the width of the plate is increased | |

Sprockets

European Standard Series

1/2" × 1/4" Roller 7.75

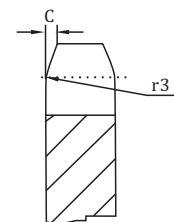
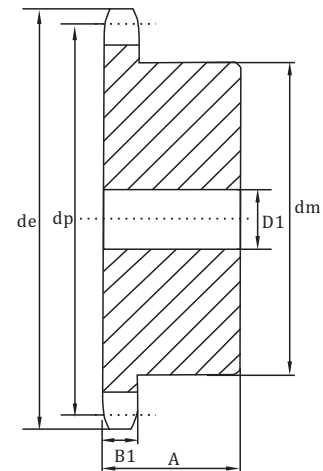
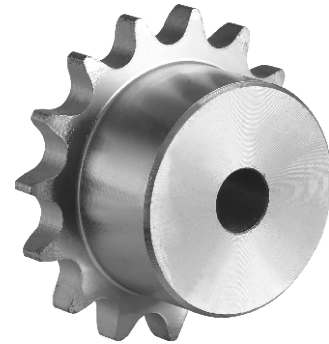
SPROCKETS 1/2" × 1/4" Roller 7.75

For Chain Acc. to DIN 8187

ISO/R 606

085B-1

| Z | d _e | d _p | SIMPLEX | | | |
|-----|----------------|----------------|----------------|----------------|----|---|
| | | | d _m | D ₁ | A | W |
| 8 | 38.5 | 33.18 | 20 | 10 | 25 | |
| 9 | 41.5 | 37.13 | 24 | 10 | 25 | |
| 10 | 46.2 | 41.10 | 26 | 10 | 25 | |
| 11 | 49.6 | 45.07 | 29 | 10 | 25 | |
| 12 | 53.9 | 49.07 | 33 | 10 | 28 | |
| 13 | 58.4 | 53.06 | 37 | 10 | 28 | |
| 14 | 62.8 | 57.07 | 41 | 10 | 28 | |
| 15 | 66.8 | 61.09 | 45 | 10 | 28 | |
| 16 | 70.9 | 65.10 | 50 | 12 | 28 | |
| 17 | 74.9 | 69.11 | 52 | 12 | 28 | |
| 18 | 78.9 | 73.14 | 56 | 12 | 28 | |
| 19 | 82.9 | 77.16 | 60 | 12 | 28 | |
| 20 | 86.9 | 81.19 | 64 | 12 | 28 | |
| 21 | 91.0 | 85.22 | 68 | 14 | 28 | |
| 22 | 95.0 | 89.24 | 70 | 14 | 28 | |
| 23 | 99.0 | 93.27 | 70 | 14 | 28 | |
| 24 | 103.0 | 97.29 | 70 | 14 | 28 | |
| 25 | 107.1 | 101.33 | 70 | 14 | 28 | |
| 26 | 111.2 | 105.36 | 70 | 16 | 30 | |
| 27 | 115.4 | 109.40 | 70 | 16 | 30 | |
| 28 | 119.4 | 113.42 | 70 | 16 | 30 | |
| 29 | 123.4 | 117.46 | 80 | 16 | 30 | |
| 30 | 127.5 | 121.50 | 80 | 16 | 30 | |
| 31 | 131.5 | 125.54 | 90 | 16 | 30 | |
| 32 | 135.5 | 129.56 | 90 | 16 | 30 | |
| 33 | 139.6 | 133.60 | 90 | 16 | 30 | |
| 34 | 143.6 | 137.64 | 90 | 16 | 30 | |
| 35 | 147.6 | 141.68 | 90 | 16 | 30 | |
| 36 | 151.7 | 145.72 | 90 | 16 | 35 | |
| 37 | 155.7 | 149.76 | 90 | 16 | 35 | |
| 38 | 159.8 | 153.80 | 90 | 16 | 35 | |
| 39 | 163.8 | 157.83 | 90 | 16 | 35 | |
| 40 | 167.8 | 161.87 | 90 | 16 | 35 | |
| 41 | 171.4 | 165.91 | 90 | 16 | 40 | |
| 42 | 175.4 | 169.95 | 90 | 16 | 40 | |
| 43 | 179.5 | 173.99 | 90 | 16 | 40 | |
| 44 | 183.5 | 178.03 | 90 | 16 | 40 | |
| 45 | 187.5 | 182.07 | 90 | 16 | 40 | |
| 46 | 191.6 | 186.10 | 90 | 16 | 40 | |
| 47 | 195.6 | 190.14 | 90 | 16 | 40 | |
| 48 | 199.7 | 194.18 | 90 | 16 | 40 | |
| 49 | 203.7 | 198.22 | *90 | 16 | 40 | |
| 50 | 207.8 | 202.26 | *90 | 16 | 40 | |
| 51 | 211.8 | 206.30 | *90 | 16 | 40 | |
| 52 | 215.9 | 210.34 | *90 | 16 | 40 | |
| 53 | 219.9 | 214.37 | *90 | 16 | 40 | |
| 54 | 224.0 | 218.43 | *90 | 16 | 40 | |
| 55 | 228.0 | 222.46 | *90 | 16 | 40 | |
| 56 | 232.1 | 226.50 | *90 | 16 | 40 | |
| 57 | 236.1 | 230.54 | *90 | 16 | 40 | |
| 58 | 240.2 | 234.58 | *90 | 16 | 40 | |
| 59 | 244.2 | 238.62 | *90 | 16 | 40 | |
| 60 | 248.2 | 242.66 | *90 | 16 | 40 | |
| 62 | 256.7 | 250.75 | *90 | 16 | 40 | |
| 64 | 264.8 | 258.82 | *90 | 16 | 40 | |
| 65 | 268.8 | 262.86 | *90 | 16 | 40 | |
| 66 | 272.9 | 266.90 | *90 | 16 | 40 | |
| 68 | 280.9 | 274.99 | *90 | 16 | 40 | |
| 70 | 289.0 | 283.07 | *90 | 16 | 40 | |
| 72 | 297.1 | 291.16 | *90 | 16 | 40 | |
| 76 | 313.3 | 307.33 | *90 | 16 | 40 | |
| 78 | 321.4 | 315.40 | *90 | 16 | 40 | |
| 80 | 329.4 | 323.48 | *90 | 16 | 40 | |
| 85 | 349.7 | 343.70 | *90 | 16 | 40 | |
| 90 | 369.9 | 363.90 | *90 | 16 | 40 | |
| 95 | 390.1 | 384.10 | *90 | 16 | 40 | |
| 100 | 410.3 | 404.31 | *90 | 16 | 40 | |
| 110 | 450.7 | 444.74 | *90 | 16 | 40 | |
| 114 | 466.9 | 460.90 | *90 | 16 | 40 | |
| 120 | 491.2 | 485.16 | *90 | 16 | 40 | |
| 125 | 511.4 | 505.37 | *90 | 16 | 40 | |



| | | |
|-----------------------------|--|-----------|
| SPROCKETS | | mm |
| Tooth radius r ₃ | | 13 |
| Radius width C | | 1.3 |
| Tooth width B ₁ | | 5.9 |
| CHAIN | | mm |
| Pitch | | 12.7 |
| Internal width | | 6.4 |
| Roller Φ | | 7.75 |
| Material: C 45 *Weld-on hub | | |

Sprockets

European Standard Series

1/2" × 1/4" Roller 7.75

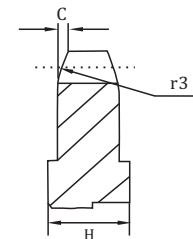
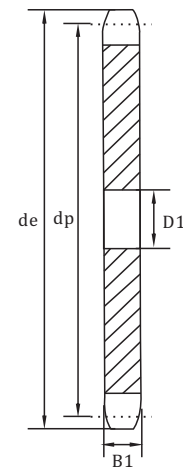
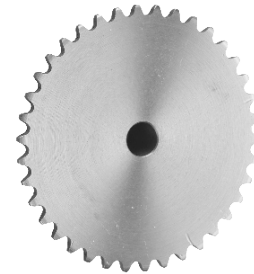
PLATEWHEELS 1/2" × 1/4" Roller 7.75

For Chain Acc. to DIN 8187

ISO/R 606

085B-1

| Z | d _e | d _p | S | |
|-----|----------------|----------------|----------------|---|
| | | | D ₁ | W |
| 8 | 38.5 | 33.18 | 8 | |
| 9 | 41.5 | 37.13 | 8 | |
| 10 | 46.2 | 41.10 | 8 | |
| 11 | 49.6 | 45.07 | 8 | |
| 12 | 53.9 | 49.07 | 8 | |
| 13 | 58.4 | 53.06 | 8 | |
| 14 | 62.8 | 57.07 | 8 | |
| 15 | 66.8 | 61.09 | 8 | |
| 16 | 70.9 | 65.10 | 8 | |
| 17 | 74.9 | 69.11 | 8 | |
| 18 | 78.9 | 73.14 | 8 | |
| 19 | 82.9 | 77.16 | 8 | |
| 20 | 86.9 | 81.19 | 8 | |
| 21 | 91.0 | 85.22 | 10 | |
| 22 | 95.0 | 89.24 | 10 | |
| 23 | 99.0 | 93.27 | 10 | |
| 24 | 103.0 | 97.29 | 10 | |
| 25 | 107.1 | 101.33 | 10 | |
| 26 | 111.2 | 105.36 | 12 | |
| 27 | 115.4 | 109.40 | 12 | |
| 28 | 119.4 | 113.42 | 12 | |
| 29 | 123.4 | 117.46 | 12 | |
| 30 | 127.5 | 121.50 | 12 | |
| 31 | 131.5 | 125.54 | 12 | |
| 32 | 135.5 | 129.56 | 12 | |
| 33 | 139.6 | 133.60 | 12 | |
| 34 | 143.6 | 137.64 | 12 | |
| 35 | 147.6 | 141.68 | 12 | |
| 36 | 151.7 | 145.72 | 16 | |
| 37 | 155.7 | 149.76 | 16 | |
| 38 | 159.8 | 153.80 | 16 | |
| 39 | 163.8 | 157.83 | 16 | |
| 40 | 167.8 | 161.87 | 16 | |
| 41 | 171.4 | 165.91 | 16 | |
| 42 | 175.4 | 169.95 | 16 | |
| 43 | 179.5 | 173.99 | 16 | |
| 44 | 183.5 | 178.03 | 16 | |
| 45 | 187.5 | 182.07 | 16 | |
| 46 | 191.6 | 186.10 | 20 | |
| 47 | 195.6 | 190.14 | 20 | |
| 48 | 199.7 | 194.18 | 20 | |
| 49 | 203.7 | 198.22 | 20 | |
| 50 | 207.8 | 202.26 | 20 | |
| 51 | 211.8 | 206.30 | 20 | |
| 52 | 215.9 | 210.34 | 20 | |
| 53 | 219.9 | 214.37 | 20 | |
| 54 | 224.0 | 218.43 | 20 | |
| 55 | 228.0 | 222.46 | 20 | |
| 56 | 232.1 | 226.50 | 20 | |
| 57 | 236.1 | 230.54 | 20 | |
| 58 | 240.2 | 234.58 | 20 | |
| 59 | 244.2 | 238.62 | 20 | |
| 60 | 248.2 | 242.66 | 20 | |
| 62 | 256.7 | 250.75 | 20 | |
| 64 | 264.8 | 258.82 | 20 | |
| 65 | 268.8 | 262.86 | 20 | |
| 66 | 272.9 | 266.90 | 25 | |
| 68 | 280.9 | 274.99 | 25 | |
| 70 | 289.0 | 283.07 | 25 | |
| 72 | 297.1 | 291.16 | 25 | |
| 76 | 313.3 | 307.33 | 25 | |
| 78 | 321.4 | 315.40 | 25 | |
| 80 | 329.4 | 323.48 | 25 | |
| 85 | 349.7 | 343.70 | 25 | |
| 90 | 369.9 | 363.90 | 25 | |
| 95 | 390.1 | 384.10 | 25 | |
| 100 | 410.3 | 404.31 | 25 | |
| 110 | 450.7 | 444.74 | 25 | |
| 114 | 466.9 | 460.90 | 25 | |
| 120 | 491.2 | 485.16 | 25 | |
| 125 | 511.4 | 505.37 | 25 | |



| | |
|-----------------------------|-----------|
| PLATEWHEELS | mm |
| Tooth radius r ₃ | 13 |
| Radius width C | 1.3 |
| Tooth width B ₁ | 5.9 |
| CHAIN | mm |
| Pitch | 12.7 |
| Internal width | 6.4 |
| Roller Φ | 7.75 |
| Material: C 45 | |

Sprockets

European Standard Series

1/2" × 1/4" Roller 8.51

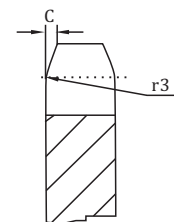
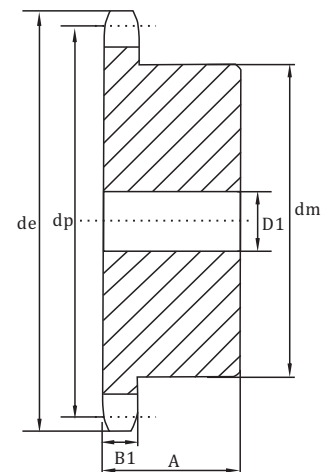
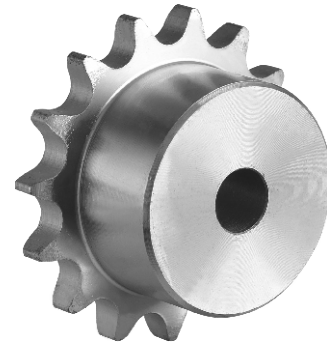
SPROCKETS 1/2" × 1/4" Roller 8.51

For Chain Acc. to DIN 8187

ISO/R 606

085B-1

| Z | d _e | d _p | SIMPLEX | | | |
|-----|----------------|----------------|----------------|----------------|----|---|
| | | | d _m | D ₁ | A | W |
| 8 | 37.2 | 33.18 | 20 | 10 | 25 | |
| 9 | 41.0 | 37.13 | 24 | 10 | 25 | |
| 10 | 45.2 | 41.10 | 26 | 10 | 25 | |
| 11 | 48.7 | 45.07 | 29 | 10 | 25 | |
| 12 | 53.0 | 49.07 | 33 | 10 | 28 | |
| 13 | 57.4 | 53.06 | 37 | 10 | 28 | |
| 14 | 61.8 | 57.07 | 41 | 10 | 28 | |
| 15 | 65.5 | 61.09 | 45 | 10 | 28 | |
| 16 | 69.5 | 65.10 | 50 | 12 | 28 | |
| 17 | 73.6 | 69.11 | 52 | 12 | 28 | |
| 18 | 77.8 | 73.14 | 56 | 12 | 28 | |
| 19 | 81.7 | 77.16 | 60 | 12 | 28 | |
| 20 | 85.8 | 81.19 | 64 | 12 | 28 | |
| 21 | 89.7 | 85.22 | 68 | 14 | 28 | |
| 22 | 93.8 | 89.24 | 70 | 14 | 28 | |
| 23 | 98.2 | 93.27 | 70 | 14 | 28 | |
| 24 | 101.8 | 97.29 | 70 | 14 | 28 | |
| 25 | 105.8 | 101.33 | 70 | 14 | 28 | |
| 26 | 110.0 | 105.36 | 70 | 16 | 30 | |
| 27 | 114.0 | 109.40 | 70 | 16 | 30 | |
| 28 | 118.0 | 113.42 | 70 | 16 | 30 | |
| 29 | 122.0 | 117.46 | 80 | 16 | 30 | |
| 30 | 126.1 | 121.50 | 80 | 16 | 30 | |
| 31 | 130.2 | 125.54 | 90 | 16 | 30 | |
| 32 | 134.3 | 129.56 | 90 | 16 | 30 | |
| 33 | 138.4 | 133.60 | 90 | 16 | 30 | |
| 34 | 142.6 | 137.64 | 90 | 16 | 30 | |
| 35 | 146.7 | 141.68 | 90 | 16 | 30 | |
| 36 | 151.0 | 145.72 | 90 | 16 | 35 | |
| 37 | 154.6 | 149.76 | 90 | 16 | 35 | |
| 38 | 158.6 | 153.80 | 90 | 16 | 35 | |
| 39 | 162.7 | 157.83 | 90 | 16 | 35 | |
| 40 | 166.8 | 161.87 | 90 | 16 | 35 | |
| 41 | 171.4 | 165.91 | 90 | 16 | 40 | |
| 42 | 175.4 | 169.95 | 90 | 16 | 40 | |
| 43 | 179.7 | 173.99 | 90 | 16 | 40 | |
| 44 | 183.8 | 178.03 | 90 | 16 | 40 | |
| 45 | 188.0 | 182.07 | 90 | 16 | 40 | |
| 46 | 192.1 | 186.10 | 90 | 16 | 40 | |
| 47 | 196.2 | 190.14 | 90 | 16 | 40 | |
| 48 | 200.3 | 194.18 | *90 | 16 | 40 | |
| 49 | 204.3 | 198.22 | *90 | 16 | 40 | |
| 50 | 208.3 | 202.26 | *90 | 16 | 40 | |
| 51 | 212.1 | 206.30 | *90 | 16 | 40 | |
| 52 | 216.1 | 210.34 | *90 | 16 | 40 | |
| 53 | 220.2 | 214.37 | *90 | 16 | 40 | |
| 54 | 224.1 | 218.43 | *90 | 16 | 40 | |
| 55 | 228.1 | 222.46 | *90 | 16 | 40 | |
| 56 | 232.2 | 226.50 | *90 | 16 | 40 | |
| 57 | 236.4 | 230.54 | *90 | 16 | 40 | |
| 58 | 240.5 | 234.58 | *90 | 16 | 40 | |
| 59 | 244.5 | 238.62 | *90 | 16 | 40 | |
| 60 | 248.6 | 242.66 | *90 | 16 | 40 | |
| 62 | 256.9 | 250.75 | *90 | 16 | 40 | |
| 64 | 265.1 | 258.82 | *90 | 16 | 40 | |
| 65 | 269.0 | 262.86 | *90 | 16 | 40 | |
| 66 | 273.0 | 266.90 | *90 | 16 | 40 | |
| 68 | 281.0 | 274.99 | *90 | 16 | 40 | |
| 70 | 289.0 | 283.07 | *90 | 16 | 40 | |
| 72 | 297.2 | 291.16 | *90 | 16 | 40 | |
| 76 | 313.3 | 307.33 | *90 | 16 | 40 | |
| 78 | 321.4 | 315.40 | *90 | 16 | 40 | |
| 80 | 329.4 | 323.48 | *90 | 16 | 40 | |
| 85 | 349.0 | 343.70 | *90 | 16 | 40 | |
| 90 | 369.9 | 363.90 | *90 | 16 | 40 | |
| 95 | 390.1 | 384.10 | *90 | 16 | 40 | |
| 100 | 410.3 | 404.31 | *90 | 16 | 40 | |
| 110 | 450.7 | 444.74 | *90 | 16 | 40 | |
| 114 | 466.9 | 460.90 | *90 | 16 | 40 | |
| 120 | 491.2 | 485.16 | *90 | 16 | 40 | |
| 125 | 511.3 | 505.37 | *90 | 16 | 40 | |



| SPROCKETS | mm |
|------------------------------|------|
| Tooth radius r ₃ | 13 |
| Radius width C | 1.3 |
| Tooth width B ₁ | 5.9 |
| CHAIN | mm |
| Pitch | 12.7 |
| Internal width | 6.4 |
| Roller Φ | 8.51 |
| Material: C 45 *Weld- on hub | |

Sprockets

European Standard Series

1/2" × 1/4" Roller 8.51

PLATEWHEELS 1/2" × 1/4"

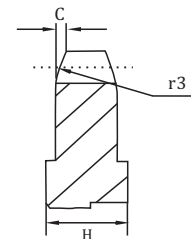
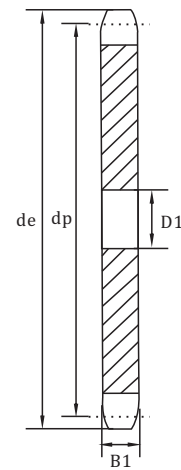
Roller 8.51

For Chain Acc. to DIN 8187

ISO/R 606

085B-1

| Z | d _e | d _p | S | |
|-----|----------------|----------------|----------------|---|
| | | | D ₁ | W |
| 8 | 37.2 | 33.18 | 8 | |
| 9 | 41.0 | 37.13 | 8 | |
| 10 | 45.2 | 41.10 | 8 | |
| 11 | 48.7 | 45.07 | 8 | |
| 12 | 53.0 | 49.07 | 8 | |
| 13 | 57.4 | 53.06 | 8 | |
| 14 | 61.8 | 57.07 | 8 | |
| 15 | 65.5 | 61.09 | 8 | |
| 16 | 69.5 | 65.10 | 10 | |
| 17 | 73.6 | 69.11 | 10 | |
| 18 | 77.8 | 73.14 | 10 | |
| 19 | 81.7 | 77.16 | 10 | |
| 20 | 85.8 | 81.19 | 10 | |
| 21 | 89.7 | 85.22 | 10 | |
| 22 | 93.8 | 89.24 | 10 | |
| 23 | 98.2 | 93.27 | 10 | |
| 24 | 101.8 | 97.29 | 10 | |
| 25 | 105.8 | 101.33 | 10 | |
| 26 | 110.0 | 105.36 | 12 | |
| 27 | 114.0 | 109.40 | 12 | |
| 28 | 118.0 | 113.42 | 12 | |
| 29 | 122.0 | 117.46 | 12 | |
| 30 | 126.1 | 121.50 | 12 | |
| 31 | 130.2 | 125.54 | 12 | |
| 32 | 134.2 | 129.56 | 12 | |
| 33 | 138.4 | 133.60 | 12 | |
| 34 | 142.6 | 137.64 | 12 | |
| 35 | 146.7 | 141.68 | 12 | |
| 36 | 151.0 | 145.72 | 16 | |
| 37 | 154.6 | 149.76 | 16 | |
| 38 | 158.6 | 153.80 | 16 | |
| 39 | 162.7 | 157.83 | 16 | |
| 40 | 166.8 | 161.87 | 16 | |
| 41 | 171.4 | 165.91 | 16 | |
| 42 | 175.4 | 169.95 | 16 | |
| 43 | 179.7 | 173.99 | 16 | |
| 44 | 183.8 | 178.03 | 16 | |
| 45 | 188.0 | 182.07 | 16 | |
| 46 | 192.1 | 186.10 | 20 | |
| 47 | 196.2 | 190.14 | 20 | |
| 48 | 200.3 | 194.18 | 20 | |
| 49 | 204.3 | 198.22 | 20 | |
| 50 | 208.3 | 202.26 | 20 | |
| 51 | 212.1 | 206.30 | 20 | |
| 52 | 216.1 | 210.34 | 20 | |
| 53 | 220.2 | 214.37 | 20 | |
| 54 | 224.1 | 218.43 | 20 | |
| 55 | 228.1 | 222.46 | 20 | |
| 56 | 232.2 | 226.50 | 20 | |
| 57 | 236.4 | 230.54 | 20 | |
| 58 | 240.5 | 234.58 | 20 | |
| 59 | 244.5 | 238.62 | 20 | |
| 60 | 248.6 | 242.66 | 20 | |
| 62 | 256.9 | 250.75 | 20 | |
| 64 | 265.1 | 258.82 | 20 | |
| 65 | 269.0 | 262.86 | 20 | |
| 66 | 273.0 | 266.90 | 25 | |
| 68 | 281.0 | 274.99 | 25 | |
| 70 | 289.0 | 283.07 | 25 | |
| 72 | 297.2 | 291.16 | 25 | |
| 76 | 313.3 | 307.33 | 25 | |
| 78 | 321.4 | 315.40 | 25 | |
| 80 | 329.4 | 323.48 | 25 | |
| 85 | 349.0 | 343.70 | 25 | |
| 90 | 369.9 | 363.90 | 25 | |
| 95 | 390.1 | 384.10 | 25 | |
| 100 | 410.3 | 404.31 | 25 | |
| 110 | 450.7 | 444.74 | 25 | |
| 114 | 466.9 | 460.90 | 25 | |
| 120 | 491.2 | 485.16 | 25 | |
| 125 | 511.3 | 505.37 | 25 | |



| | |
|-----------------------------|------|
| PLATEWHEELS | mm |
| Tooth radius r ₃ | 13 |
| Radius width C | 1.3 |
| Tooth width B ₁ | 5.9 |
| CHAIN | mm |
| Pitch | 12.7 |
| Internal width | 6.4 |
| Roller Φ | 8.51 |

Sprockets European Standard Series

1/2" × 5/16"

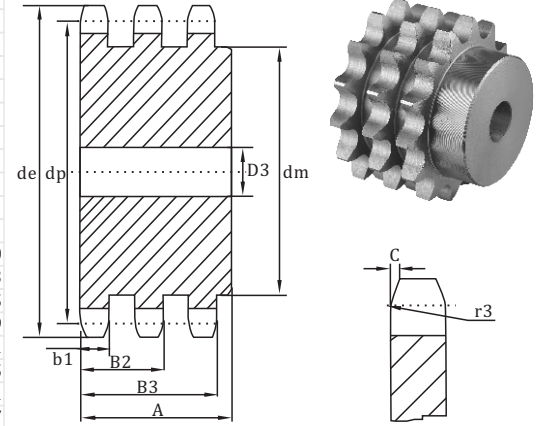
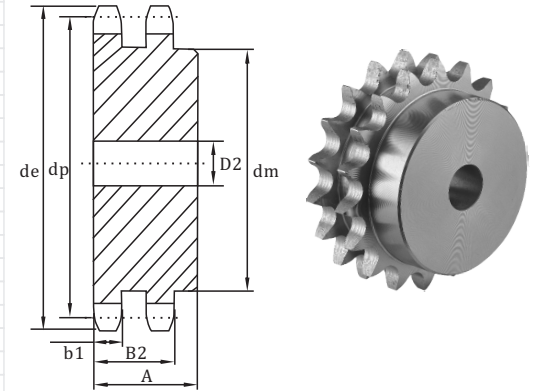
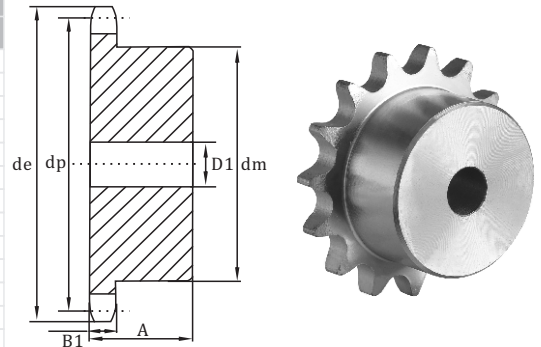
SPROCKETS 1/2" × 5/16"

For Chain Acc. to DIN 8187

ISO/R 606

08B-1-2-3

| Z | d _e | d _p | SIMPLEX | | | | DUPLEX | | | | TRIPLEX | | | |
|-----|----------------|----------------|----------------|----------------|----|-------|----------------|----------------|----|-------|----------------|----------------|----|-------|
| | | | d _m | D ₁ | A | W | d _m | D ₂ | A | W | d _m | D ₃ | A | W |
| 8 | 37.2 | 33.18 | 20 | 10 | 25 | 0.10 | 20 | 10 | 32 | 0.09 | 20 | 10 | 46 | 0.13 |
| 9 | 41.0 | 37.13 | 24 | 10 | 25 | 0.11 | 24 | 10 | 32 | 0.13 | 24 | 12 | 46 | 0.18 |
| 10 | 45.2 | 41.10 | 26 | 10 | 25 | 0.12 | 28 | 10 | 32 | 0.18 | 28 | 12 | 46 | 0.24 |
| 11 | 48.7 | 45.07 | 29 | 10 | 25 | 0.15 | 32 | 12 | 35 | 0.24 | 32 | 14 | 50 | 0.31 |
| 12 | 53.0 | 49.07 | 33 | 10 | 28 | 0.21 | 35 | 12 | 35 | 0.30 | 35 | 14 | 50 | 0.39 |
| 13 | 57.4 | 53.06 | 37 | 10 | 28 | 0.26 | 38 | 12 | 35 | 0.36 | 38 | 14 | 50 | 0.49 |
| 14 | 61.8 | 57.07 | 41 | 10 | 28 | 0.32 | 42 | 12 | 35 | 0.44 | 42 | 14 | 50 | 0.60 |
| 15 | 65.5 | 61.09 | 45 | 10 | 28 | 0.39 | 46 | 12 | 35 | 0.52 | 46 | 14 | 50 | 0.72 |
| 16 | 69.5 | 65.10 | 50 | 12 | 28 | 0.46 | 50 | 14 | 35 | 0.63 | 50 | 16 | 50 | 0.85 |
| 17 | 73.6 | 69.11 | 52 | 12 | 28 | 0.51 | 54 | 14 | 35 | 0.73 | 54 | 16 | 50 | 0.99 |
| 18 | 77.8 | 73.14 | 56 | 12 | 28 | 0.59 | 58 | 14 | 35 | 0.85 | 58 | 16 | 50 | 1.14 |
| 19 | 81.7 | 77.16 | 60 | 12 | 28 | 0.67 | 62 | 14 | 35 | 0.97 | 62 | 16 | 50 | 1.30 |
| 20 | 85.8 | 81.19 | 64 | 12 | 28 | 0.76 | 66 | 14 | 35 | 1.10 | 66 | 16 | 50 | 1.47 |
| 21 | 89.7 | 85.22 | 68 | 12 | 28 | 0.85 | 70 | 16 | 40 | 1.29 | 70 | 16 | 55 | 1.79 |
| 22 | 93.8 | 89.24 | 70 | 12 | 28 | 0.92 | 70 | 16 | 40 | 1.37 | 70 | 16 | 55 | 1.93 |
| 23 | 98.2 | 93.27 | 70 | 14 | 28 | 0.94 | 70 | 16 | 40 | 1.46 | 70 | 16 | 55 | 2.08 |
| 24 | 101.8 | 97.29 | 70 | 14 | 28 | 0.97 | 75 | 16 | 40 | 1.64 | 75 | 16 | 55 | 2.26 |
| 25 | 105.8 | 101.33 | 70 | 14 | 28 | 1.00 | 80 | 16 | 40 | 1.82 | 80 | 16 | 55 | 2.57 |
| 26 | 110.0 | 105.36 | 70 | 16 | 30 | 1.09 | 85 | 16 | 40 | 2.02 | 85 | 20 | 55 | 2.79 |
| 27 | 114.0 | 109.40 | 70 | 16 | 30 | 1.13 | 85 | 16 | 40 | 2.12 | 85 | 20 | 55 | 2.96 |
| 28 | 118.0 | 113.42 | 70 | 16 | 30 | 1.16 | 90 | 16 | 40 | 2.34 | 90 | 20 | 55 | 3.25 |
| 29 | 122.0 | 117.46 | 80 | 16 | 30 | 1.35 | 95 | 16 | 40 | 2.56 | 95 | 20 | 55 | 3.55 |
| 30 | 126.1 | 121.50 | 80 | 16 | 30 | 1.45 | 100 | 16 | 40 | 2.79 | 100 | 20 | 55 | 3.86 |
| 31 | 130.2 | 125.54 | 90 | 16 | 30 | 1.72 | 100 | 20 | 40 | 2.87 | 110 | 20 | 55 | 4.32 |
| 32 | 134.3 | 129.56 | 90 | 16 | 30 | 1.80 | 100 | 20 | 40 | 3.00 | 110 | 20 | 55 | 4.53 |
| 33 | 138.4 | 133.60 | 90 | 16 | 30 | 1.84 | 100 | 20 | 40 | 3.13 | 110 | 20 | 55 | 4.74 |
| 34 | 142.6 | 137.64 | 90 | 16 | 30 | 1.87 | 100 | 20 | 40 | 3.26 | 110 | 20 | 55 | 4.97 |
| 35 | 146.7 | 141.68 | 90 | 16 | 30 | 1.90 | 100 | 20 | 40 | 3.40 | 110 | 20 | 55 | 5.20 |
| 36 | 151.0 | 145.72 | 90 | 16 | 35 | 2.22 | 100 | 20 | 40 | 3.54 | 120 | 25 | 55 | 5.64 |
| 37 | 154.6 | 149.76 | 90 | 16 | 35 | 2.23 | 100 | 20 | 40 | 3.69 | 120 | 25 | 55 | 5.88 |
| 38 | 158.6 | 153.80 | 90 | 16 | 35 | 2.31 | 100 | 20 | 40 | 3.84 | 120 | 25 | 55 | 6.14 |
| 39 | 162.7 | 157.83 | 90 | 16 | 35 | 2.38 | 100 | 20 | 40 | 4.00 | 120 | 25 | 55 | 6.40 |
| 40 | 166.8 | 161.87 | 90 | 16 | 35 | 2.41 | 100 | 20 | 40 | 4.15 | 120 | 25 | 55 | 6.66 |
| 41 | 171.4 | 165.91 | *90 | 16 | 40 | 2.73 | *108 | 20 | 50 | 5.16 | *120 | 25 | 60 | 7.40 |
| 42 | 175.4 | 169.94 | *90 | 16 | 40 | 2.77 | *108 | 20 | 50 | 5.32 | *120 | 25 | 60 | 7.66 |
| 43 | 179.7 | 173.98 | *90 | 16 | 40 | 2.84 | *108 | 20 | 50 | 5.50 | *120 | 25 | 60 | 7.94 |
| 44 | 183.8 | 178.02 | *90 | 16 | 40 | 2.88 | *108 | 20 | 50 | 5.67 | *120 | 25 | 60 | 8.22 |
| 45 | 188.0 | 182.07 | *90 | 16 | 40 | 2.97 | *108 | 20 | 50 | 5.85 | *120 | 25 | 60 | 8.51 |
| 46 | 192.1 | 186.10 | *90 | 16 | 40 | 3.00 | *108 | 20 | 50 | 6.03 | *120 | 25 | 60 | 8.80 |
| 47 | 196.2 | 190.14 | *90 | 16 | 40 | 3.09 | *108 | 20 | 50 | 6.21 | *120 | 25 | 60 | 9.09 |
| 48 | 200.3 | 194.18 | *90 | 16 | 40 | 3.14 | *108 | 20 | 50 | 6.53 | *120 | 25 | 60 | 9.40 |
| 49 | 204.3 | 198.22 | *90 | 16 | 40 | 3.22 | *108 | 20 | 50 | 6.73 | *120 | 25 | 60 | 9.69 |
| 50 | 208.3 | 202.26 | *90 | 16 | 40 | 3.26 | *108 | 20 | 50 | 6.92 | *120 | 25 | 60 | 10.00 |
| 51 | 212.1 | 206.30 | *90 | 16 | 40 | 3.39 | *108 | 20 | 50 | 7.11 | *120 | 25 | 60 | 10.43 |
| 52 | 216.1 | 210.34 | *90 | 16 | 40 | 3.46 | *108 | 20 | 50 | 7.31 | *120 | 25 | 60 | 10.75 |
| 53 | 220.2 | 214.37 | *90 | 16 | 40 | 3.53 | *108 | 20 | 50 | 7.53 | *120 | 25 | 60 | 11.09 |
| 54 | 224.1 | 218.43 | *90 | 16 | 40 | 3.61 | *108 | 20 | 50 | 7.73 | *120 | 25 | 60 | 11.41 |
| 55 | 228.1 | 222.46 | *90 | 16 | 40 | 3.68 | *108 | 20 | 50 | 7.94 | *120 | 25 | 60 | 11.75 |
| 56 | 232.2 | 226.50 | *90 | 16 | 40 | 3.76 | *108 | 20 | 50 | 8.16 | *120 | 25 | 60 | 12.11 |
| 57 | 236.4 | 230.54 | *90 | 16 | 40 | 3.84 | *108 | 20 | 50 | 8.39 | *120 | 25 | 60 | 12.47 |
| 58 | 240.5 | 234.58 | *90 | 16 | 40 | 3.92 | *108 | 20 | 50 | 8.63 | *120 | 25 | 60 | 13.00 |
| 59 | 244.5 | 238.62 | *90 | 16 | 40 | 4.00 | *108 | 20 | 50 | 8.85 | *120 | 25 | 60 | 13.20 |
| 60 | 248.6 | 242.66 | *90 | 16 | 40 | 4.08 | *108 | 20 | 50 | 9.09 | *120 | 25 | 60 | 13.58 |
| 62 | 256.9 | 250.74 | *90 | 16 | 40 | 4.26 | *108 | 20 | 50 | 9.79 | *120 | 25 | 60 | 14.36 |
| 64 | 265.1 | 258.82 | *90 | 16 | 40 | 4.44 | *108 | 20 | 50 | 10.31 | *120 | 25 | 60 | 15.16 |
| 65 | 269.0 | 262.86 | *90 | 16 | 40 | 4.52 | *108 | 20 | 50 | 10.56 | *120 | 25 | 60 | 15.55 |
| 66 | 273.0 | 266.91 | *90 | 16 | 40 | 4.61 | *108 | 20 | 50 | 10.82 | *120 | 25 | 60 | 16.41 |
| 68 | 281.0 | 274.99 | *90 | 16 | 40 | 4.79 | *108 | 20 | 55 | 11.65 | *120 | 25 | 60 | 17.26 |
| 70 | 289.0 | 283.07 | *90 | 16 | 40 | 4.98 | *108 | 20 | 55 | 12.20 | *120 | 25 | 60 | 17.32 |
| 72 | 297.2 | 291.15 | *90 | 16 | 40 | 5.18 | *108 | 20 | 55 | 12.77 | *120 | 25 | 60 | 18.53 |
| 75 | 309.2 | 303.28 | *90 | 16 | 40 | 5.48 | *108 | 20 | 55 | 13.64 | *120 | 25 | 60 | 20.45 |
| 76 | 313.3 | 307.32 | *90 | 16 | 40 | 5.59 | *108 | 20 | 55 | 13.95 | *120 | 25 | 60 | 20.94 |
| 78 | 321.4 | 315.40 | *90 | 16 | 40 | 5.80 | *108 | 20 | 55 | 14.56 | *120 | 25 | 60 | 21.93 |
| 80 | 329.4 | 323.49 | *90 | 16 | 40 | 6.02 | *108 | 20 | 55 | 15.18 | *120 | 25 | 60 | 22.92 |
| 85 | 349.0 | 343.69 | *90 | 16 | 40 | 6.57 | *110 | 20 | 55 | 16.85 | *120 | 25 | 60 | 25.47 |
| 90 | 369.9 | 363.90 | *90 | 16 | 40 | 7.99 | *110 | 20 | 55 | 19.49 | *120 | 25 | 60 | 27.56 |
| 95 | 390.1 | 384.11 | *90 | 16 | 40 | 8.75 | *110 | 20 | 55 | 21.40 | *120 | 25 | 60 | 30.42 |
| 100 | 410.3 | 404.32 | *90 | 16 | 40 | 9.54 | *110 | 20 | 55 | 23.42 | *120 | 25 | 60 | 33.42 |
| 110 | 450.7 | 444.74 | *90 | 16 | 40 | 11.25 | *110 | 20 | 55 | 27.75 | *120 | 25 | 60 | 39.87 |
| 114 | 466.9 | 460.91 | *90 | 16 | 40 | 11.97 | *110 | 20 | 55 | 29.60 | *120 | 25 | 60 | 42.63 |
| 120 | 491.2 | 485.16 | *90 | 16 | 40 | 13.11 | *110 | 20 | 55 | 32.50 | *120 | 25 | 60 | 46.95 |
| 125 | 511.3 | 505.37 | *90 | 16 | 40 | 14.09 | *110 | 20 | 55 | 35.00 | *120 | 25 | 60 | 50.68 |



| SPROCKETS | mm |
|-----------------------------|---------------|
| Tooth radius r ₃ | 13 |
| Radius width C | 1.3 |
| Tooth width B ₁ | 7.2 |
| Tooth width b ₁ | 7 |
| Tooth width B ₂ | 21 |
| Tooth width B ₃ | 34.9 |
| CHAIN | mm |
| Pitch | 12.7 |
| Internal width | 7.75 |
| Roller Φ | 8.51 |
| Material: C 45 | *Weld- on hub |