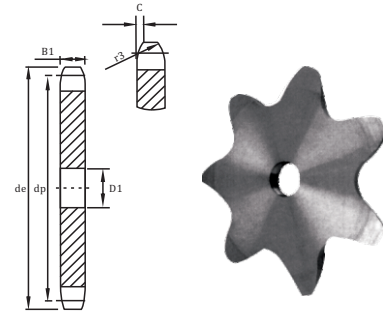


Platewheels For Conveyor Chain

Z	d _e	d _p	S D ₁	Z	d _e	d _p	S D ₁
12	85.7	77.28	14				
14	98.3	89.88	14				
15	104.6	96.18	14				
16	110.9	102.52	16				
17	117.2	108.82	16				
19	129.9	121.52	16				
20	136.2	127.84	16				
21	142.6	134.18	20				
23	155.3	146.88	20				
26	174.3	165.92	20				
27	180.7	172.27	20				
35	231.5	223.12	20				
38	250.6	242.18	25				
39	256.9	248.54	25				
40	263.3	254.92	25				

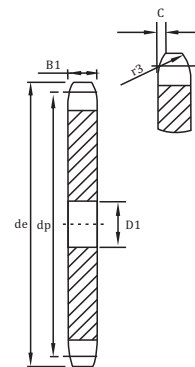
PLATEWHEELS 20 × 16mm
For chains Acc.to DIN 8164



PLATEWHEELS	mm
Tooth radius r ₃	20
Radius width C	1.7
Tooth width B ₁	14.5
CHAIN	mm
Pitch	20
Internal width	16
Roller Φ	12

Z	d _e	d _p	S D ₁	Z	d _e	d _p	S D ₁
11	117.4	106.48	20				
12	126.9	115.91	20				
13	137.3	125.36	20				
15	156.2	144.29	20				
17	175.2	163.27	20				
21	213.2	201.29	25				
22	222.8	210.80	25				
23	232.3	220.32	25				
27	270.4	258.41	25				
30	299.0	287.00	25				
38	375.2	363.27	30				

PLATEWHEELS 30 × 17.02mm
For chains Acc.to DIN 8164



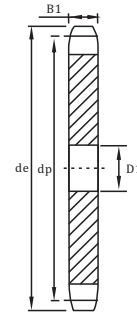
PLATEWHEELS	mm
Tooth radius r ₃	27
Radius width C	2.2
Tooth width B ₁	15.8
CHAIN	mm
Pitch	30
Internal width	17.02
Roller Φ	15.88

Platewheels For Conveyor Chain

Z	Roller 25			Roller 28			Roller 31		
	d _e	d _p	D ₁	d _e	d _p	D ₁	d _e	d _p	D ₁
6	115.0	100.00	20				116.2	100.00	20
7	132.7	115.24	20				133.8	115.24	20
8	158.1	130.60	25	150.2	130.60	25	152.3	130.60	25
9	163.7	146.20	25				167.9	146.20	25
10	179.3	161.85	25	181.4	161.85	25	183.5	161.85	25
11	195.0	177.50	25				199.2	177.50	25
12	211.0	193.20	25				212.0	193.20	25
13	226.4	208.95	30				230.6	208.95	30
14	242.2	224.70	30	244.3	244.70	30	246.4	224.70	30
15	257.9	240.45	30	260.0	240.45	30	262.1	240.45	30
16	273.8	256.30	30				278.0	256.30	30
17	289.5	272.05	30				293.7	272.05	30
18	305.4	287.95	30	307.5	287.95	30	309.6	287.95	30
19	321.3	303.80	30				325.5	303.80	30
20	337.1	319.60	30				341.3	319.60	30
21	352.9	335.45	30				357.1	335.45	30
22				370.9	351.35	30	373.0	351.35	30
23							388.9	367.20	30
24	400.0	383.05	30	402.6	383.05	30	404.7	383.05	30
25	416.4	398.95	30				419.7	398.95	30
26	432.3	414.80	30				436.5	414.80	30
27	448.2	430.70	30				452.4	430.70	30
28	464.0	446.55	30				468.2	446.55	30
29	480.0	462.50	30						
30	495.8	478.35	30						
32							431.8	510.10	30
35							579.5	557.80	30
38	622.9	605.45	30				622.0	605.45	30

PLATE WHEELS P 50

R25-28-31

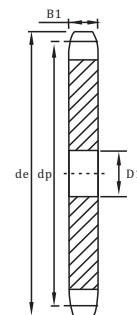


CHAIN	mm
Pitch	50
Internal width	11.5
Roller Φ	25
Tooth width B ₁	10.5
CHAIN	mm
Pitch	50
Internal width	15
Roller Φ	28
Tooth width B ₁	13.5
CHAIN	mm
Pitch	50
Internal width	15
Roller Φ	31
Tooth width B ₁	13.5

Z	Roller 25			Roller 31					
	d _e	d _p	D ₁	d _e	d _p	D ₁			
8	213.4	195.98	30	217.6	195.98	30			
9	236.8	219.30	30	241.0	219.30	30			
10	260.2	242.77	30	264.4	242.77	30			
11	283.7	266.25	30	287.9	266.25	30			
12	307.3	289.80	30	311.5	289.80	30			
13	330.9	313.42	30	334.1	313.42	30			
14				358.7	337.05	30			
15	378.1	360.67	30	382.3	360.67	30			
16	401.9	384.45	30	406.1	384.45	30			
17				419.7	408.07	30			
20	496.9	479.40	30						
21				524.8	503.17	30			
25	615.9	598.42	30	620.1	598.42	30			

PLATEWHEELS P75

R25-31

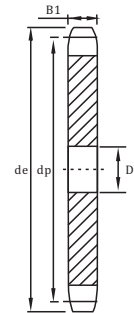


CHAIN	mm
Pitch	75
Internal width	11.5
Roller Φ	25
Tooth width B ₁	10.5
CHAIN	mm
Pitch	75
Internal width	15
Roller Φ	31
Tooth width B ₁	13.5

Platewheels For Conveyor Chain

Z	Roller 25			Roller 31			Roller 40		
	d_e	d_p	D_1	d_e	d_p	D_1	d_e	d_p	D_1
8	278.7	261.31	30	282.9	261.31	30	283.0	261.31	30
9				314.1	292.40	30	314.0	292.40	30
10	341.2	323.61	30	345.4	323.61	30	345.0	323.61	30
11	372.5	345.95	30	376.7	354.95	30	378.0	354.95	30
12	403.9	386.40	30	408.1	386.40	30	409.0	386.40	30
13				439.6	417.90	30			
14				471.1	449.40	30	473.0	449.40	30
15				502.6	480.90	30			
16				534.3	512.60	30	536.0	512.60	30
17				565.8	544.10	30			
18				597.6	575.90	30			
19									
20							663.0	639.20	30

PLATEWHEEL1 P.100



Ro25-31-40

CHAIN	mm
Pitch	100
Internal width	11.5
Roller Φ	25
Tooth width B_1	10.5
CHAIN	mm
Pitch	100
Internal width	15
Roller Φ	31
Tooth width B_1	13.5
CHAIN	mm
Pitch	100
Internal width	22
Roller Φ	40
Tooth width B_1	20

Table Top Wheels

Z	d_e	D_1	L
13	78.98	15	43.5
15	93.67	15	43.5
17	105.47	20	43.5
19	117.34	20	43.5
21	129.26	20	43.5
23	141.22	20	43.5
25	153.21	20	43.5
27	165.20	20	43.5
29	177.24	20	43.5
31	189.28	20	43.5

TABLE TOP WHEELS
For chains Acc.to DIN 8153

