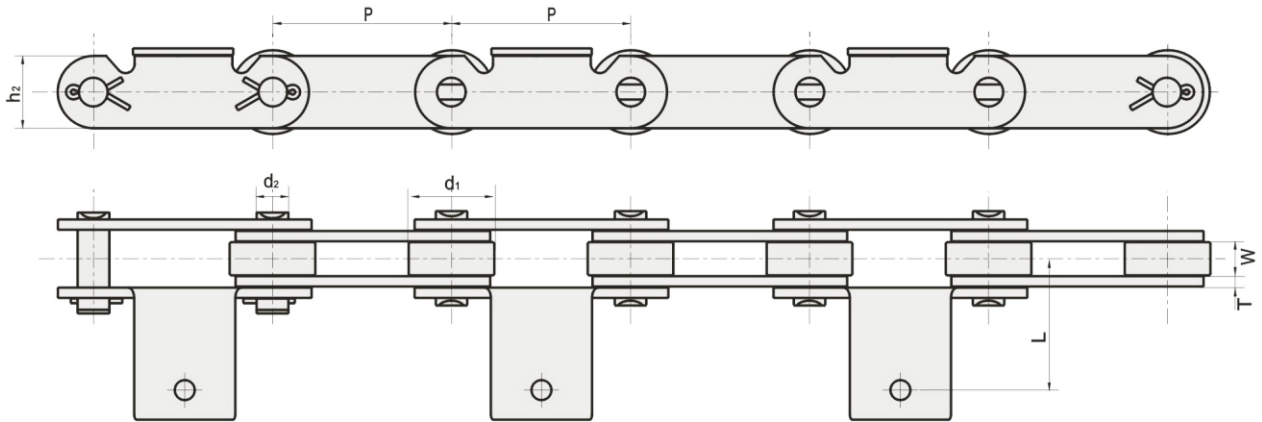
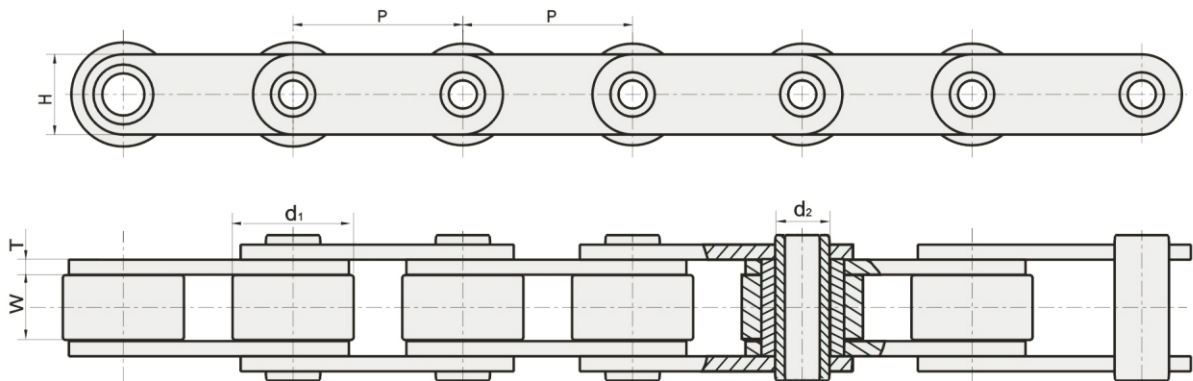


烟草机械链条 TOBACCO MACHINE CHAINS



YHK Chain No.	节距 Pitch	内节内宽 Width between inner plates	滚子外径 Roller outer diameter	销轴直径 Pin diameter	链板尺寸 Plate dimensions		附板孔至中心距离 Distance from hole of attachment to center line	极限拉伸载荷 Ultimate tensile strength	每米长重 Weight per meter
	P	W min	d ₁ max	d ₂ max	H max	T max	L	Q min	q
	mm	mm	mm	mm	mm	mm	mm	kN	kg/mm
P76.2K1F5	76.20	15.0	32.0	8.28	26.0	4.0	44.5	70	3.92
P120K1F2	120.00	27.5	50.0	12.70	40.0	5.0	40.0	140	8.40



YHK Chain No.	节距 Pitch	内节内宽 Width between inner plates	滚子外径 Roller outer diameter	销轴直径 Pin diameter	链板尺寸 Plate dimensions		极限拉伸载荷 Ultimate tensile strength	每米长重 Weight per meter
	P	W min	d ₁ max	d ₂ max	H max	T max	Q min	q
	mm	mm	mm	mm	mm	mm	kN	kg/mm
P50.8F7	50.8	16.0	30.0	14.0	27.0	4.0	40	3.90