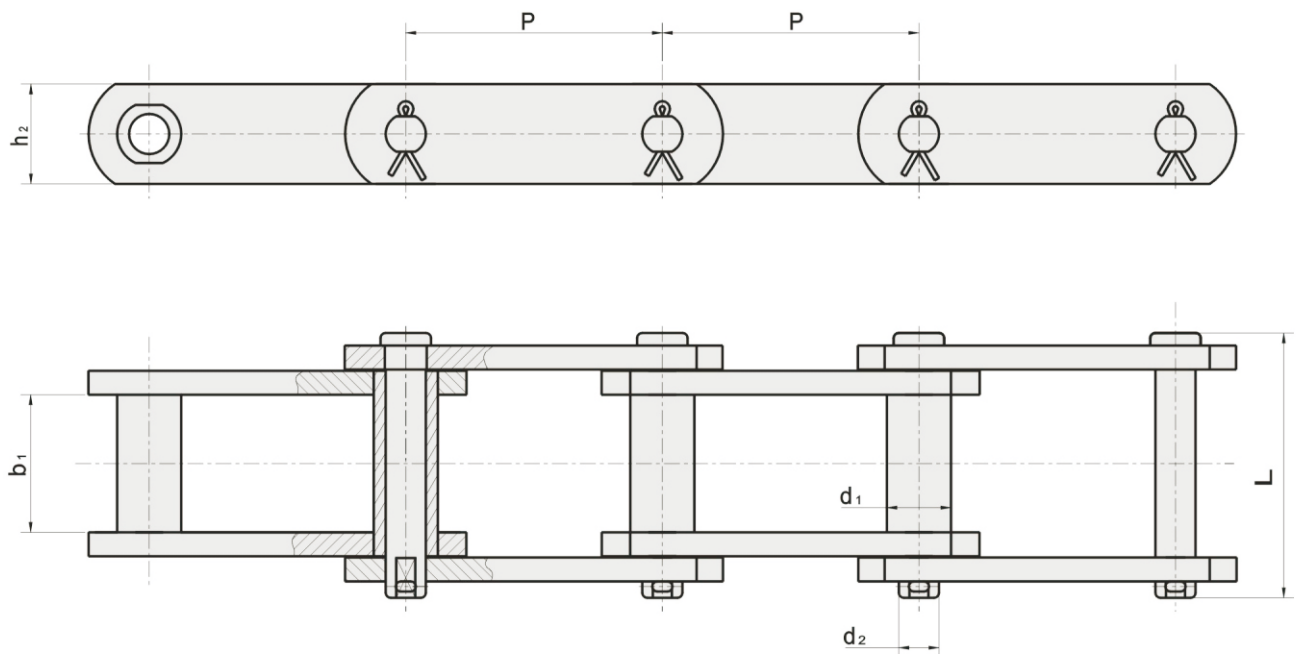


## 工程用钢制套筒链 ENGINEERING STEEL BUSHING CHAINS



YHK Chain No.	节距 Pitch	内节内宽 Width between inner plates	套筒直径 Bush diameter	销轴直径 Pin diameter	销轴长度 Pin length	链板高度 Plate depth	链板厚度 Plate thickness	极限拉伸载荷 Ultimate tensile strength
	P	b <sub>1</sub> min	d <sub>1</sub> max	d <sub>2</sub> max	L max	h <sub>2</sub> max	T	Q min
	mm	mm	mm	mm	mm	mm	mm	kN
S102B	101.60	51.3	25.4	15.88	111.3	39.6	9.7	160
S110	152.40	51.3	32.5	15.88	111.3	39.6	9.7	160
S111	120.90	63.2	36.6	19.05	130.2	52.3	9.7	214
S131	78.11	31.7	32.5	15.88	90.5	39.6	9.7	160
S150	153.67	80.0	44.7	25.4	164.3	66.6	12.7	378
S188	66.27	25.6	22.4	12.7	68.6	30.0	6.4	102