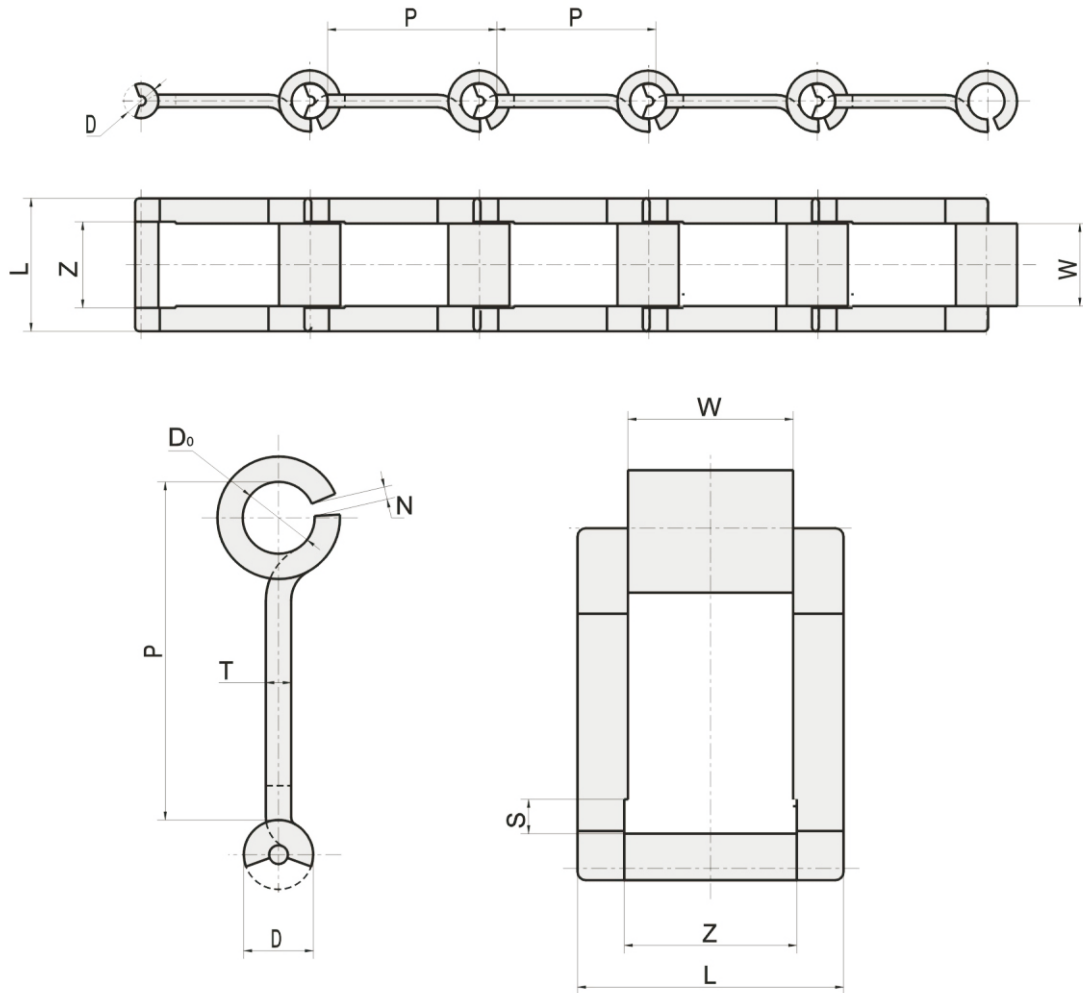


钢制易拆链 STEEL DETACHABLE CHAIN



YHK Chain No.	节距 Pitch	链板宽度 Plate width	尾体内宽 Cauda inner width	配合高度 Fitting height width	钩套外宽 Hook outer width	钩套内径 Hook inner diameter	尾体外径 Cauda outer diameter	间 隙 Clearance	链板厚度 Plate thickness	极限拉伸载荷 Ultimate tensile strength
	P	L	Z	S	W	D _o min	D max	N min	T	Q min
	mm	mm	mm	mm	mm	mm	mm	mm	mm	kN
32	29.39	23.81	15.5	2.54	15.08	6.35	6.10	2.03	2.30	5.87
32W	29.39	27.00	15.5	2.54	15.08	6.35	6.10	2.16	2.40	5.87
T32	29.39	28.00	16.90	2.54	16.50	6.35	6.10	2.16	2.40	5.87
45	41.40	30.95	20.5	2.80	19.84	10.0	8.51	2.41	2.70	7.47
52	38.30	35.71	21.9	3.17	21.44	8.28	8.13	2.79	3.10	9.61
55	41.40	32.54	20.65	3.30	20.22	8.78	8.51	2.92	3.15	9.96
62	42.01	39.69	25.45	3.94	24.94	9.14	9.02	3.51	3.75	15.66
67H	58.75	47.62	28.19	5.16	27.76	12.95	12.70	4.44	4.70	19.57