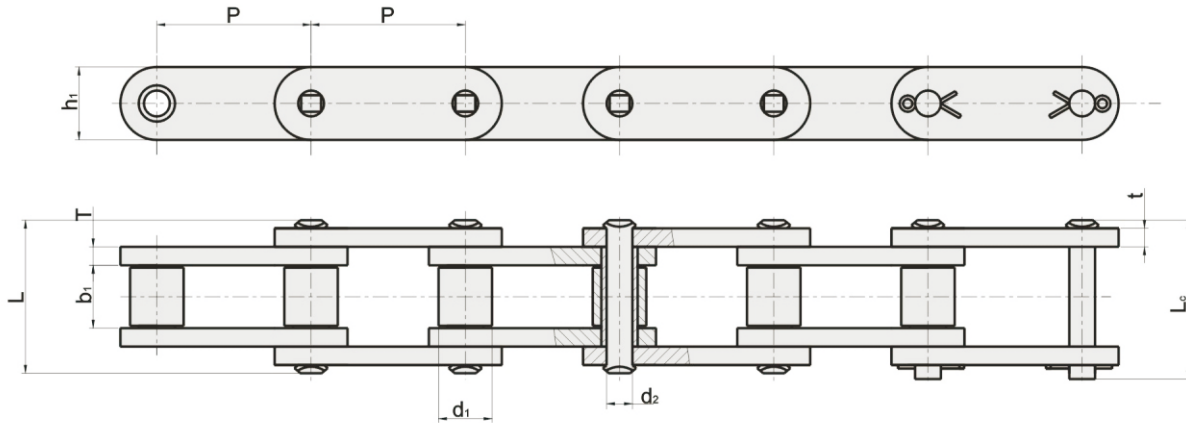
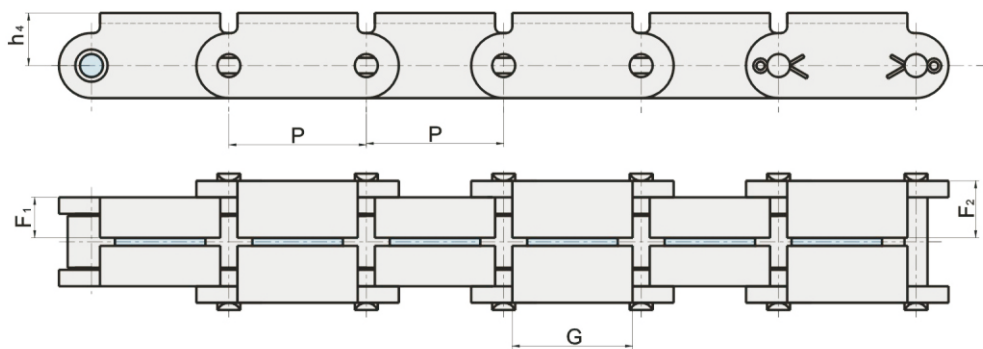


木材输送链及附件 LUMBER CONVEYOR CHAIN & ATTACHMENTS



YHK Chain No.	节距 Pitch	滚子直径 Roller diameter	内节内宽 Width between inner plates	销轴直径 Pin diameter	销轴长度 Pin length		链板高度 Plate depth	链板厚度 Plate thickness	极限拉伸载荷 Ultimate tensile strength	平均拉伸载荷 Average tensile strength	每米长重 Weight per meter
	P	d ₁ max	b ₁ min	d ₂ max	L max	L _c max	h ₂ max	T/t	Q min	Q _o	q
	mm	mm	mm	mm	mm	mm	mm	mm	kN	kN	kg/m
81X	66.27	23.00	27.00	11.10	49.0	53.5	28.50	4.00	106.7	128.9	3.78
81XH	66.27	23.00	27.00	11.10	60.7	65.1	31.35	7.50/5.55	151.9	175.7	5.88
81XHH	66.27	23.00	27.78	11.10	65.6	70.0	31.35	7.50	191.1	212.6	6.70
81XHS	66.27	23.00	27.00	11.10	63.6	68.0	31.80	7.60	152.0	177.2	6.55
500R	50.00	25.40	25.40	14.63	52.0	56.4	40.00	5.00	100.0	114.5	7.13
441.100R	100.00	25.40	25.40	14.63	52.0	56.4	40.00	5.00	100.0	114.5	5.15



YHK Chain No.	节距 Pitch	附件尺寸 Attachment dimensions			
	P	F ₁	F ₂	G	h ₄
	mm	mm	mm	mm	mm
81X-N1	66.27	17.5	21.8	58.0	23.85