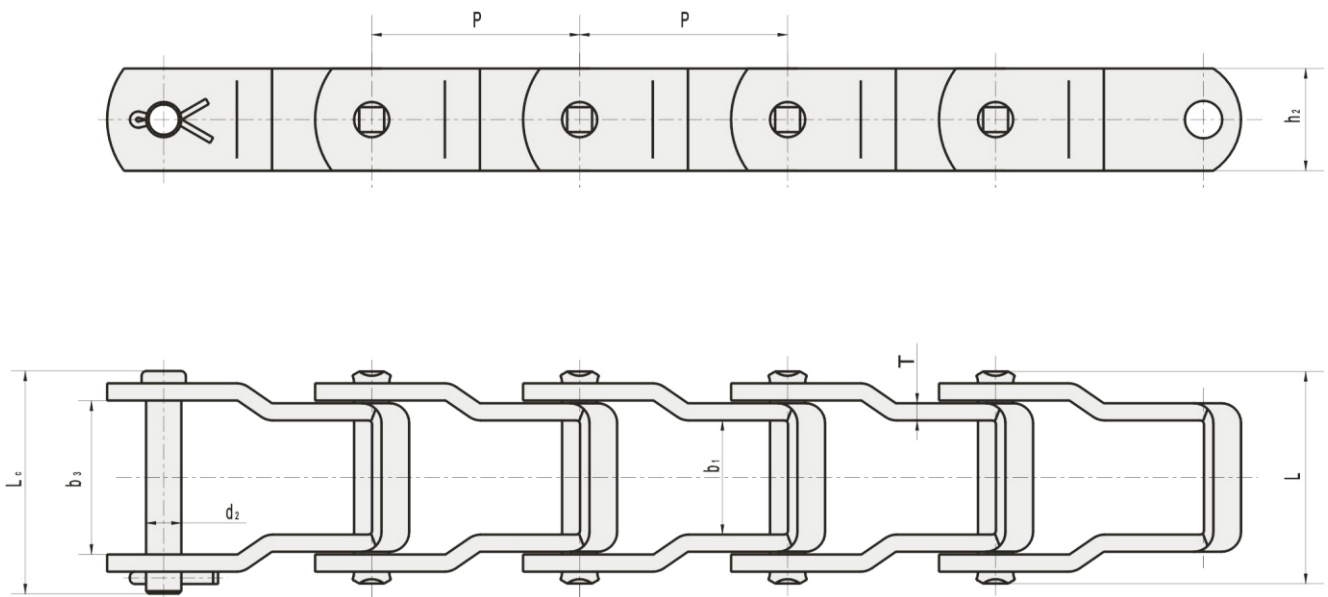


## 钢制销合链 STEEL PINTLE CHAIN



YHK Chain No.	节距 Pitch	弯链板尺寸 Curve plate dimensions					销轴尺寸 Pin dimensions		极限拉伸载荷 Ultimate tensile strength	每米长重 Weight per meter
	P	b <sub>3</sub>	b <sub>1</sub>	h <sub>2</sub>	T	d <sub>2</sub>	L	L <sub>c</sub>	Q min	q
	mm	mm	mm	mm	mm	mm	mm	mm	kN	kg/m
662	42.27	30.5	23.2	18.3	3.2	7.14	41.3	41.5	37.80	1.63
667X	57.15	36.5	27.0	23.8	4.3	11.1	50.0	53.5	66.70	2.88
667H	58.75	32.9	25.6	22.23	3.2	7.92	43.7	40.5	42.26	1.87
667J	57.15	36.5	27.0	23.8	4.3	9.52	50.0	53.0	62.28	2.75
667K	57.15	39.2	27.8	26.8	5.1	11.1	55.5	58.0	88.90	3.64
88K	66.27	39.2	27.8	26.8	5.1	11.1	55.5	58.0	88.90	3.57