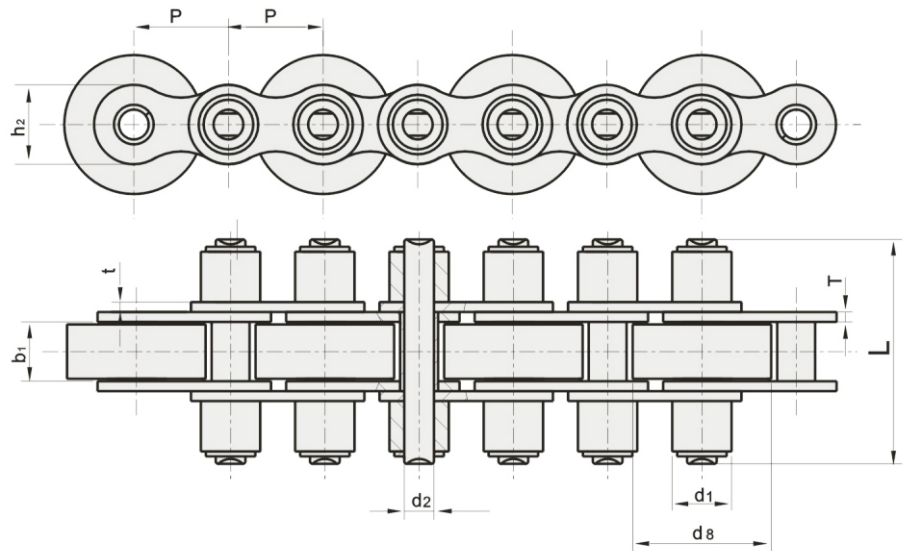
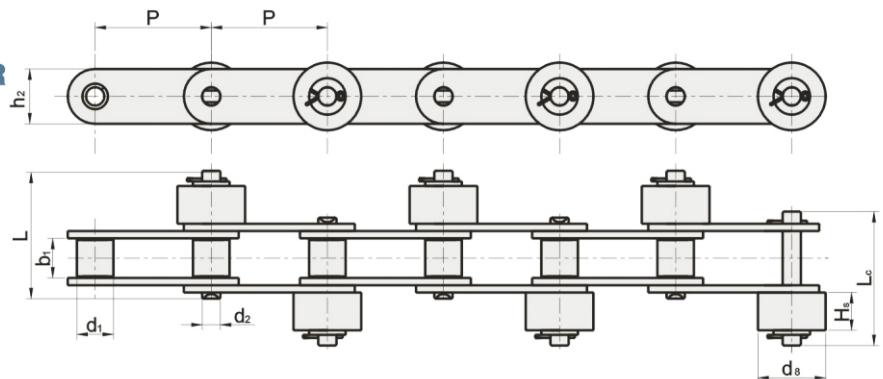


双边侧滚链 DOUBLE SIDES ROLLER ATTACHMENT CHAIN



YHK Chain No.	节距 Pitch	滚子直径 Roller diameter		销轴直径 Pin diameter	销轴长度 Pin length	内节内宽 Width between inner plates	链板尺寸 Plate dimension		极限拉伸载荷 Ultimate tensile strength	每米长重 Weight per meter
	P	d_1 max	d_8 max	d_2 max	L max	b_1 min	h_2 max	t/T	Q min	q
	mm	mm	mm	mm	mm	mm	mm	mm	kN	kg/m
08BS	12.70	8.51	16.0	4.45	25.0	7.75	10.6	1.6/1.5	18.0	19.8
12BS	19.05	12.07	28.0	5.72	45.4	11.68	16.0	1.85	28.9	31.7
12BS-P26	19.05	12.07	26.0	5.72	43.0	11.68	16.0	1.85	29.0	31.9

双节距侧滚链 DOUBLE PITCH SIDE ROLLER ATTACHMENT CHAIN



YHK Chain No.	节距 Pitch	滚子直径 Roller diameter		销轴直径 Pin diameter	销轴长度 Pin length		内节内宽 Width between inner plates	内链板尺寸 Plate dimension		极限拉伸载荷 Ultimate tensile strength	每米长重 Weight per meter
	P	d_1 max	d_8 max	d_2 max	L max	L_o max	b_1 min	h_2 max	T max	Q min	q
	mm	mm	mm	mm	mm	mm	mm	mm	mm	kN	kg/m
CS2040S2-PSR	25.40	7.95	15.88	3.96	25.80	27.6	7.85	12.0	1.50	13.8	0.99
C2050S-PSR	31.75	10.16	19.05	5.08	31.80	34.0	9.40	15.0	2.03	21.8	1.52
C2052SY1-PSR	31.75	19.05	27.00	5.08	35.00	37.3	9.40	15.0	2.03	21.8	3.06
C2060HS-PSR	38.10	11.91	22.23	5.94	44.00	46.6	12.57	18.0	3.25	31.1	1.78