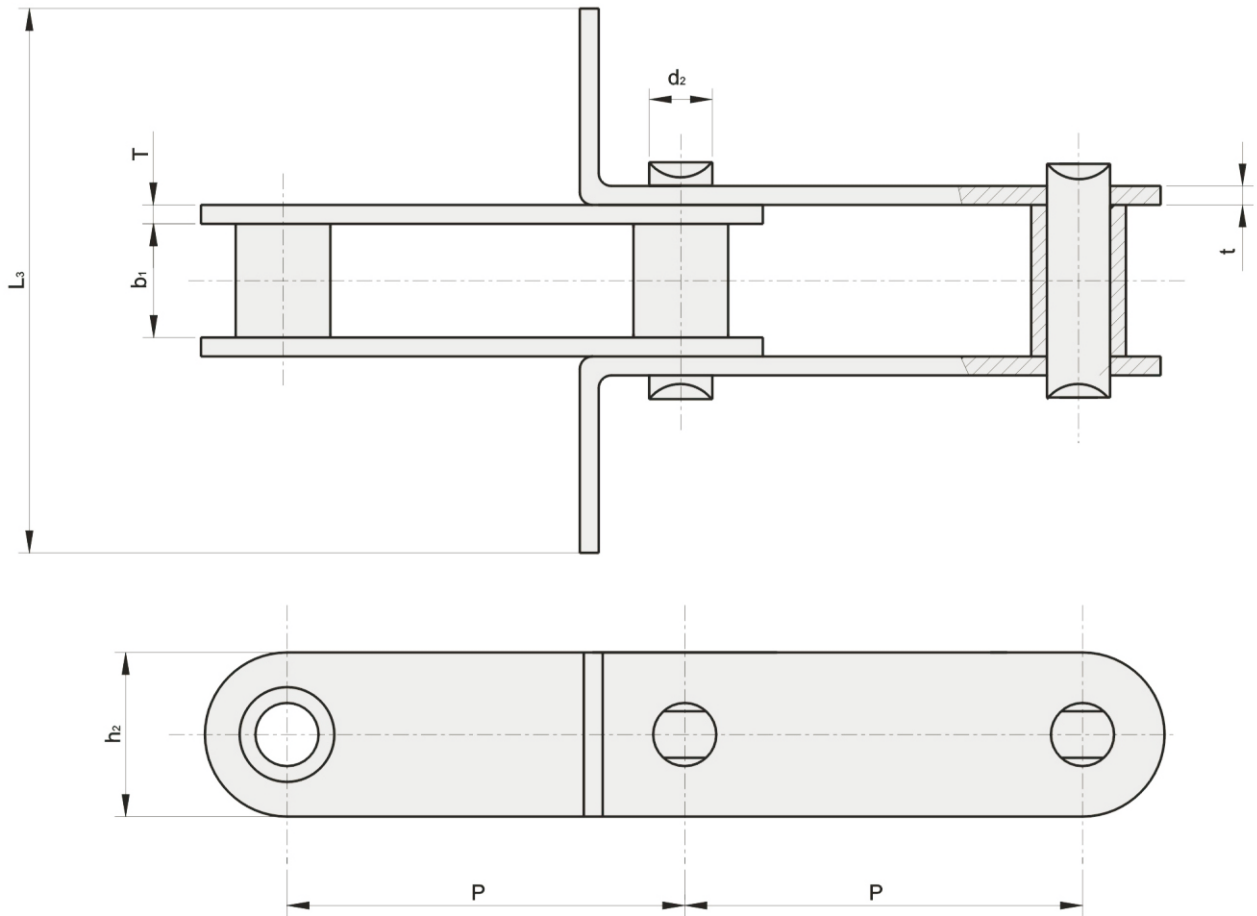


M型刮板输送机链 M TYPE SCRAPER CONVEYOR CHAIN



YHK Chain No.	节距 Pitch	内节内宽 Width between inner plates	销轴直径 Pin diameter	链板高度 Plate depth	链板厚度 Plate thickness		极限拉伸载荷 Ultimate tensile strength
	P	b ₁ min	d ₂ max	h ₂ max	T	t	Q min
	mm	mm	mm	mm	mm	mm	kN
M 56	63	24	10	30	4	4	56
	80						
	100						
	125						
	160						

M型刮板输送链

M TYPE SCRAPER CONVEYOR CHAIN

YHK Chain No.	节距 Pitch	内节内宽 Width between inner plates	销轴直径 Pin diameter	链板高度 Plate depth	链板厚度 Plate thickness		极限拉伸载荷 Ultimate tensile strength
	P	b ₁ min	d ₂ max	h ₂ max	T	t	Q min
	mm	mm	mm	mm	mm	mm	kN
M 80	80	28	12	35	5	5	80
	100						
	125						
	160						
	200						
	250						
	315						
M 112	80	32	15	40	6	6	112
	100						
	125						
	160						
	200						
	250						
	315						
M 160	100	37	18	50	7	7	160
	125						
	160						
	200						
	250						
	315						
	400						
M 224	125	43	21	60	8	8	224
	160						
	200						
	250						
	315						
	400						
M 315	160	48	25	70	10	10	315
	200						
	250						
	315						
	400						

刮板尺寸L3按客户要求制作。

Scraper dimension L3 can be made according to the customer's requirements.