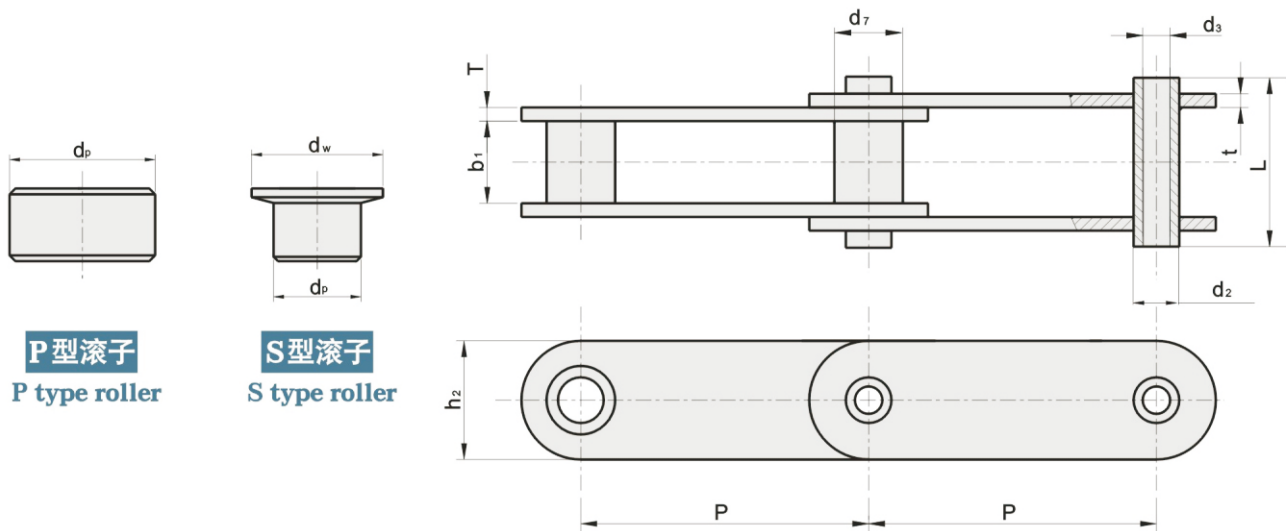


M型空心销轴输送链 M TYPE HOLLOW PIN CONVEYOR CHAIN



P型滚子
P type roller

S型滚子
S type roller

YHK Chain No.	节距 Pitch	内节内宽 Width between inner plates	空心销轴尺寸 Hollow pin dimensions			套筒直径 Bush diameter	滚子直径 Roller diameter		链板尺寸 Plates dimensions		极限拉伸载荷 Ultimate tensile strength
	P	$b_{1\min}$	$d_{2\max}$	$d_{3\min}$	L max	$d_{7\max}$	$d_{p\max}$	$d_{w\max}$	$h_{2\max}$	t/T	Q min
	mm	mm	mm	mm	mm	mm	mm	mm	mm	mm	kN
MC 28	63	22	13	8.2	40	17.5	25	30	25	3.0	28
	80										
	100										
	125										
	160										
MC 56	63	30	15.5	10.2	45	21	36	42	35	4.0	56
	80										
	100										
	125										
	160										
MC 112	80	32	22	14.3	64	29	60	70	50	6.0	112
	100										
	125										
	160										
	200										
	250										
MC 224	125	43	31	20.3	84	41	85	100	70	8.0	224
	160										
	200										
	250										
	315										
400											