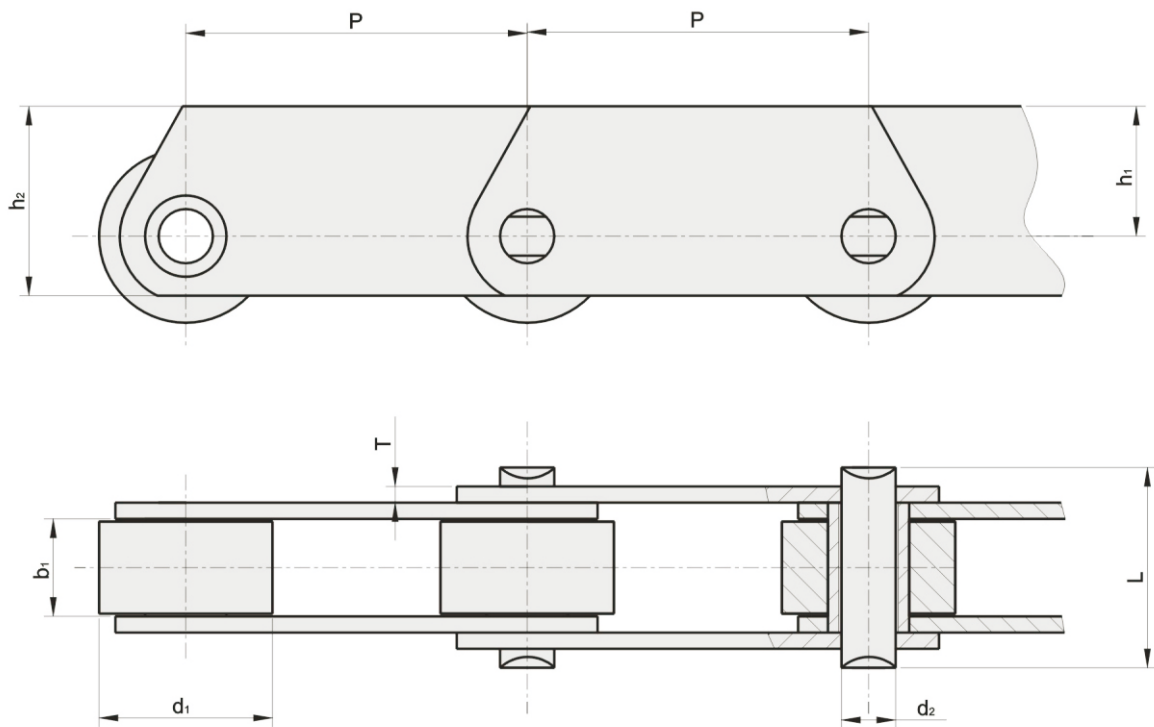


## FVT型输送链 FVT TYPE CONVEYOR CHAIN



YHK Chain No.	节距 Pitch	内节内宽 Width between inner plates	滚子直径 Roller diameter	销轴直径 Pin diameter	销轴长度 Pin length	链板尺寸 Plate dimensions			极限拉伸载荷 Ultimate tensile strength	每米长重 Weight per meter
	P	b <sub>1</sub> min	d <sub>1</sub> max	d <sub>2</sub> max	L max	h <sub>1</sub> max	h <sub>2</sub> max	T	Q min	q
	mm	mm	mm	mm	mm	mm	mm	mm	kN	kg/m
FVT-350	50	11.5	18.0	5.7	25.5	10.0	17.5	2.5	20	1.25
FVT-351	50	11.5	25.0	5.7	23.8	16.5	25.0	2.0	20	2.00
FVT-352	50	15.0	31.0	10.0	36.6	17.5	30.0	4.0	60	4.50
FVT-353	75	15.0	31.0	10.0	36.6	17.5	30.0	4.0	60	4.50
FVT-354	100	15.0	31.0	10.0	36.6	17.5	30.0	4.0	60	4.50
FVT-2042	25.40	7.80	15.88	3.96	16.2	10.0	17.9	1.5	14.8	0.88
FVT-2052	31.75	9.53	19.05	5.08	20.5	12.0	21.5	2.0	26.5	1.20
FVT-2062H	38.10	12.70	22.23	5.94	28.7	14.0	25.1	3.25	38	2.25
FVT-2082H	50.80	15.88	28.58	7.92	35.9	18.0	32.2	4.0	66	3.40