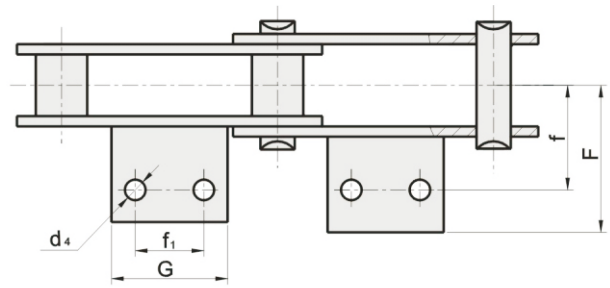
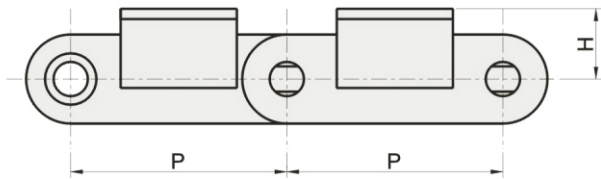
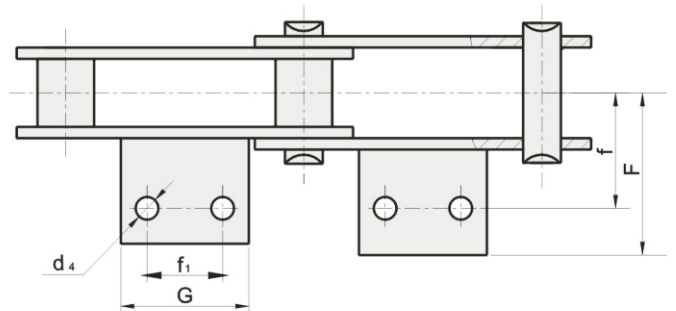
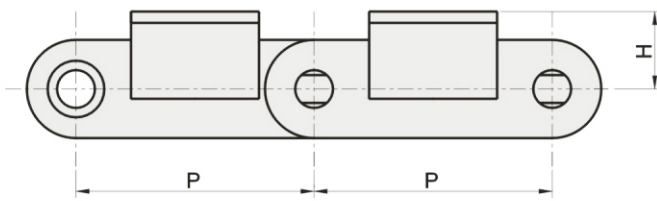


FV型输送链附件 FV TYPE CONVEYOR CHAIN ATTACHMENTS



YHK Chain No.	节距 Pitch	附件尺寸 Attachment dimension						角铁尺寸 Angle iron dimension	极限拉伸载荷 Ultimate tensile strength	
	P	f	F	f ₁	G	H	d ₄	Q _{min}		
	mm	mm	mm	mm	mm	mm	mm	mmxmmxmm	kN	
FV 40	40	25	50	30	50	20	6.0		40	
	63									31
	100									50
FV 63	63	34	50	30	50	30	9.0	30X30X3	63	
	100									40
	125									60
	160									70
FV 90	63	40	65	30	50	35	9.0	40X40X4	90	
	100									60
	125									70
	160									80
	200									85
	250									105
FV 112	100	50	69	30	50	40	11	40X40X5	112	
	125									65
	160									75
	200									90
	250									105
FV 140	100	50	80	30	55	45	11	50X50X5	140	
	125									65
	160									75
	200									90
	250									105
	315									125
FV 180	125	64	90	35	65	45	14	50X50X6	180	
	160									80
	200									95
	250									110
	315									130
	400									130

FV型输送链附件 FV TYPE CONVEYOR CHAIN ATTACHMENTS



YHK Chain No.	节距 Pitch	附件尺寸 Attachment dimension						角铁尺寸 Angle iron dimension	极限拉伸载荷 Ultimate tensile strength
	P	f	F	f ₁	G	H	d ₄		Q _{min}
	mm	mm	mm	mm	mm	mm	mm	mmxmmxmm	kN
FV 250	125	69	110		50	55	14	65X65X7	250
	160			50	80				
	200			65	95				
	250			80	110				
	315			100	130				
	400			100	130				
FV 315	160	85	130		58	60	14	70X70X9	315
	200			65	95				
	250			80	110				
	315			100	130				
	400			100	130				
FV 400	160	95	145		50	65	18	80X80X10	400
	200			60	100				
	250			80	120				
	315			100	140				
	400			100	140				
FV 500	160	100	150		50	70	18	80X80X10	500
	200			50	100				
	250			80	120				
	315			100	140				
	400			100	140				
FV 630	200	115	175		50	80	18	100X100X10	630
	250			70	110				
	315			100	140				
	400			100	140				
	500			100	140				