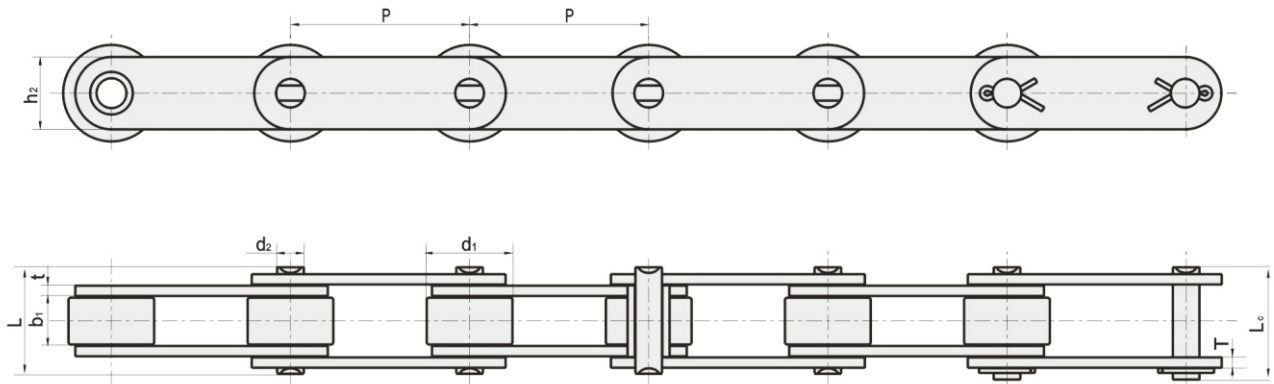


输送链 CONVEYOR CHAINS



YHK Chain No.	节距 Pitch	滚子直径 Roller diameter	内节内宽 Width between inner plates	销轴直径 Pin diameter	销轴长度 Pin length		链板尺寸 Plate dimensions		极限拉伸载荷 Ultimate tensile strength	平均拉伸载荷 Average tensile strength	每米长重 Weight per meter
	P	d ₁ max	b ₁ min	d ₂ max	L max	L _c max	h ₂ max	t/T max	Q min	Q _o	q
	mm	mm	mm	mm	mm	mm	mm	mm	kN	kN	kg/m
P42	42.01	22.23	25.40	11.10	55.25		28.50	4.8	100.0	110.0	5.36
P42F1	42.01	22.23	25.40	11.10	50.30	54.3	28.50	4.8	90.0	99.0	5.26
P44.45F1	44.45	22.23	24.70	11.10	62.00	65.5	32.00	6.7	110.0	121.0	7.30
P50	50.00	25.40	25.40	14.63	54.30	57.8	40.00	5.0	100.0	110.0	7.50
P50F1	50.00	29.21	30.99	17.81	66.00		42.20	7.0	210.0	231.0	9.68
P50.8F1	50.80	30.00	10.00	11.70	30.20	34.5	26.04	4.0	83.0	91.3	2.60
P63.5	63.50	19.05	18.90	9.53	44.60	47.2	28.60	5.0	86.7	95.4	3.77
P76.2F2	76.20	50.00	26.00	24.00	69.60	74.7	59.50	8.0	350.0	385.0	19.00
P80F1	80.00	42.00	24.00	15.00	55.00	60.0	60.00	6.0	250.0	275.0	11.90
P80F5	80.00	28.00	34.00	16.00	68.00	72.0	45.00	5.0/8.0	190.0	209.0	8.80
P80F6	80.00	30.00	32.00	15.00	58.60	62.6	60.00	5.0	98.0	108.0	9.75
P80F10	80.00	42.00	22.00	15.00	53.00	58.0	60.00	6.0	250.0	275.0	11.40
P101.6F4	101.60	66.70	25.40	26.90	59.20	80.0*	51.00	7.1/5.1	134.0	147.4	15.70
P125F1	125.00	50.00	55.00	26.00	110.00		60.00	8.0	300.0	330.0	13.53
P150.5	150.50	38.12	40.81	16.02	83.50	88.0	44.23	8.5	250.0	275.0	10.00
P152F5	152.40	66.70	25.40	26.90	59.20	80.0*	50.00	7.1/5.1	134.0	147.4	12.10
P152F10	152.40	57.20	37.10	15.90	76.80	87.0	44.50	7.9	190.0	209.0	11.29
P200F10	200.00	100.00	47.00	25.00	103.50		72.00	10.0	308.7	339.6	28.30